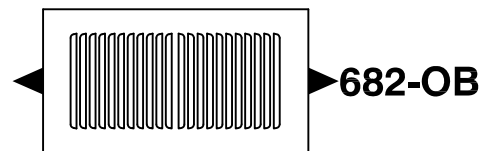
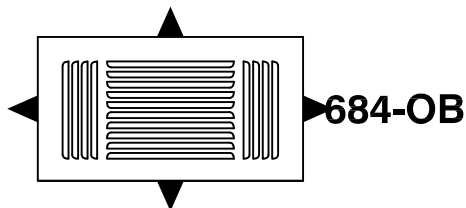
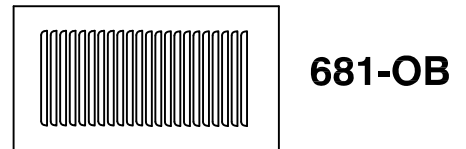
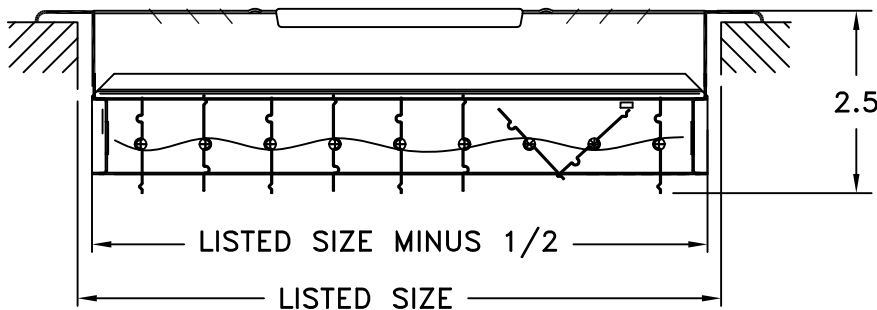
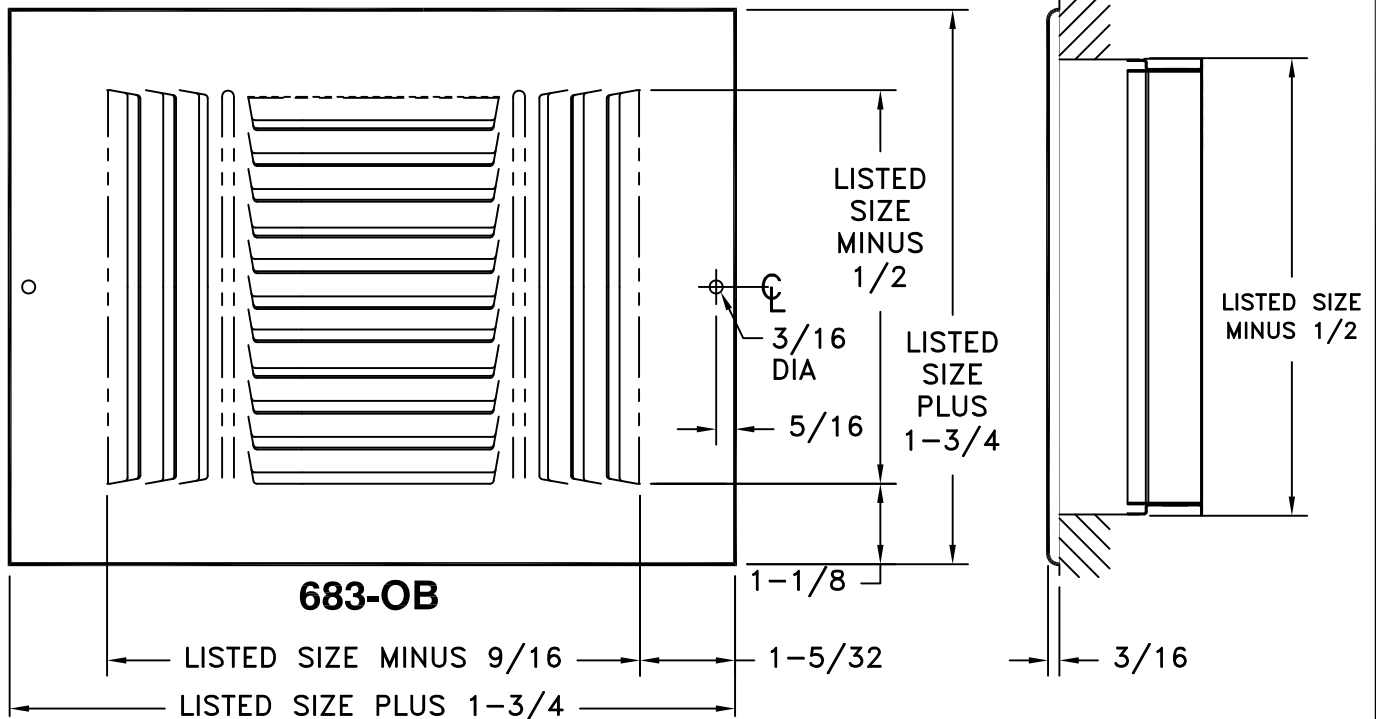


- ALL STEEL CONSTRUCTION
- INTEGRAL MULTI-SHUTTER DAMPER
- 1/2 INCH SPACED FINS SET AT 40 DEGREES
- MINIMUM SIZE = 6 X 6
- MAXIMUM SIZE = 16 X 16
- 1, 2, 3, OR 4-WAY DEFLECTION
- FOR HEATING OR COOLING
- FINISH: WHITE (W) ENAMEL



JOB NAME: _____	SUBMITTED BY: _____	DATE: 09/19/2017	SD-2440-1
LOCATION: _____		680-OB-Series	
ARCHITECT: _____		Ceiling Or Sidewall Register	
ENGINEER: _____		with Opposed Blade Damper	
CONTRACTOR: _____			