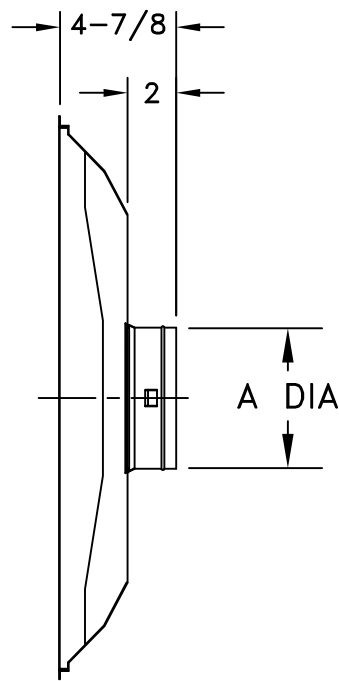
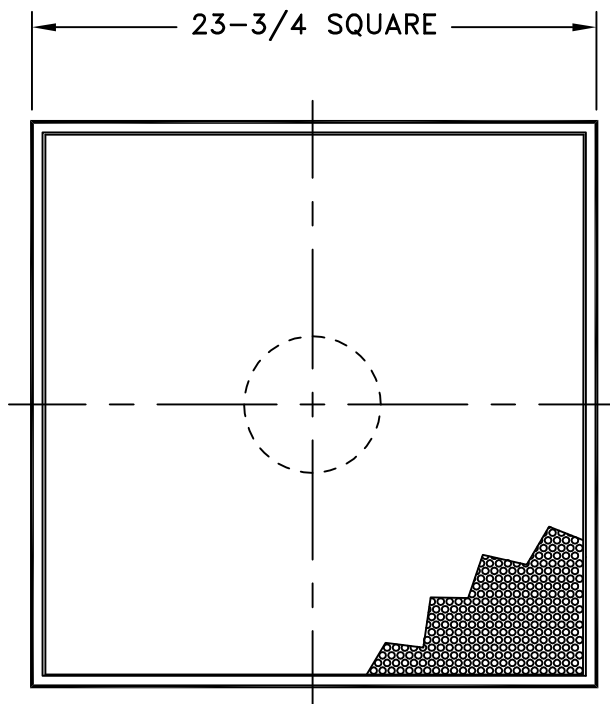
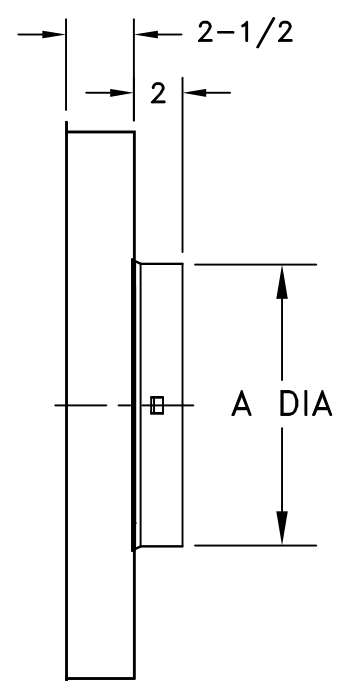


- FITS STANDARD 2' X 2' T-BAR CEILING SYSTEMS
- AVAILABLE IN 6-18 INCH COLLAR SIZES
- OPTIONAL ADJUSTABLE NO. 3800 STEEL BUTTERFLY DAMPER AVAILABLE FOR ALL SIZES
- HINGED/LATCHED FACE ALLOWS FOR EASY ACCESS TO DAMPER
- MATCHING CBPS SUPPLY AVAILABLE
- EARTHQUAKE TAB OPTION AVAILABLE AS MODEL CBPR-EQ
- FINISH: WHITE (W) ENAMEL ON FACE AND BACK

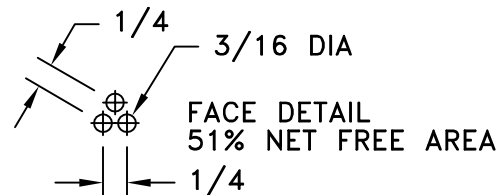


6-14
NECK SIZE



16
NECK SIZE

SIZE	A DIA
6	5-7/8
8	7-7/8
10	9-7/8
12	11-7/8
14	13-7/8
16	15-7/8



JOB NAME: _____	SUBMITTED BY: _____	DATE: 07/17/2013	SD-9420
LOCATION: _____	CBPR RETURN Steel Removable Face Perforated Grille		
ARCHITECT: _____			
ENGINEER: _____			
CONTRACTOR: _____			