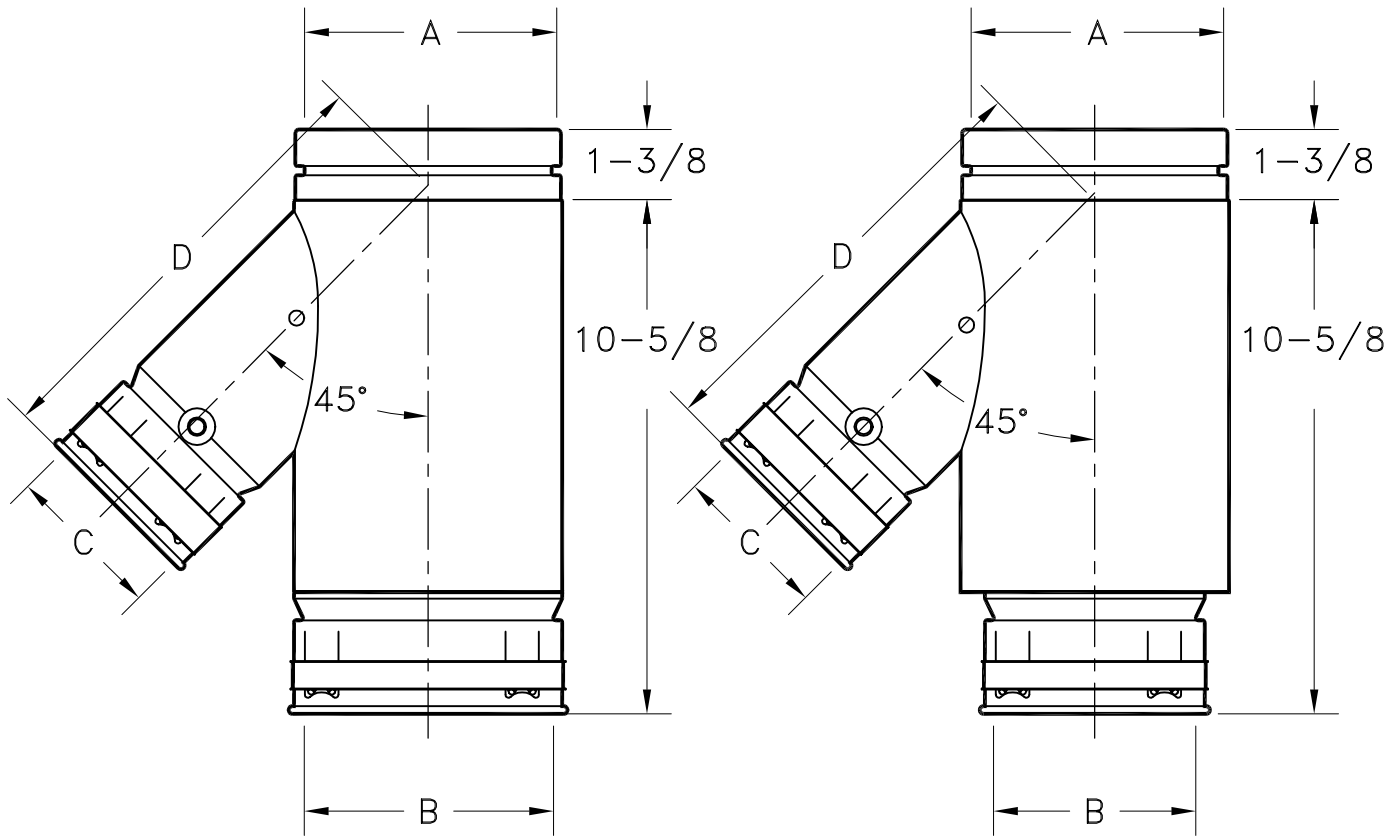


- MATERIAL:
 OUTER - .018 THICK, G-90 GALVANIZED STEEL
 INNER - .012 THICK, ALUMINUM



CAT. NO.	SIZE A/B/C	D
4RFY33	4/3/3	8-5/16
4RFY43	4/4/3	8-5/16
4RFY44	4/4/4	8-5/16
5RYF43	5/4/3	9-1/32
5RYF44	5/4/4	9-1/32
5RYF53	5/5/3	9-1/32
5RYF54	5/5/4	9-1/32

CAT. NO.	SIZE A/B/C	D
6RYF43	6/4/3	9-3/4
6RYF44	6/4/4	9-3/4
6RYF53	6/5/3	9-3/4
6RYF54	6/5/4	9-3/4
6RYF63	6/6/3	9-3/4
6RYF64	6/6/4	9-3/4

JOB NAME: _____	SUBMITTED BY: _____	DATE: 3/14/01	SD-3134
LOCATION: _____		Type B Gas Vent Fixed Wye RFY	
ARCHITECT: _____			
ENGINEER: _____			
CONTRACTOR: _____			