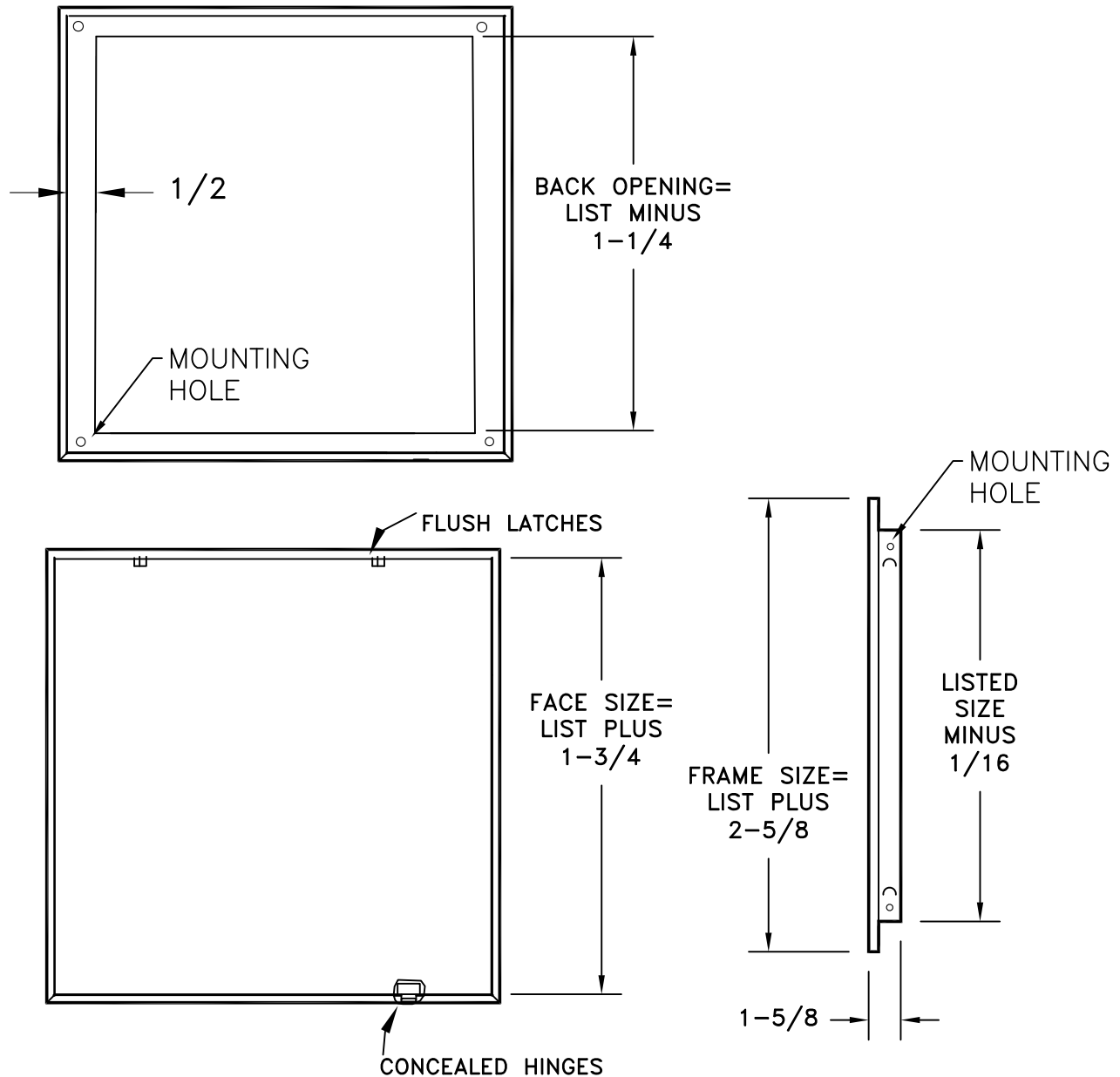


- ALL STEEL CONSTRUCTION
- FLUSH, REMOVABLE FACE WITH CONCEALED LATCHES AND HINGES
- AVAILABLE SIZES— 8X8,10X10,12X12,14X14,16X16,24X24
- THE FACE IS 22 GAUGE AND THE FRAME IS 24 GAUGE
- FINISH: WHITE (W) ENAMEL



JOB NAME: _____	SUBMITTED BY: _____	DATE: 02/28/2025	SD-2721
LOCATION: _____		HCAD ACCESS DOOR	
ARCHITECT: _____			
ENGINEER: _____			
CONTRACTOR: _____			