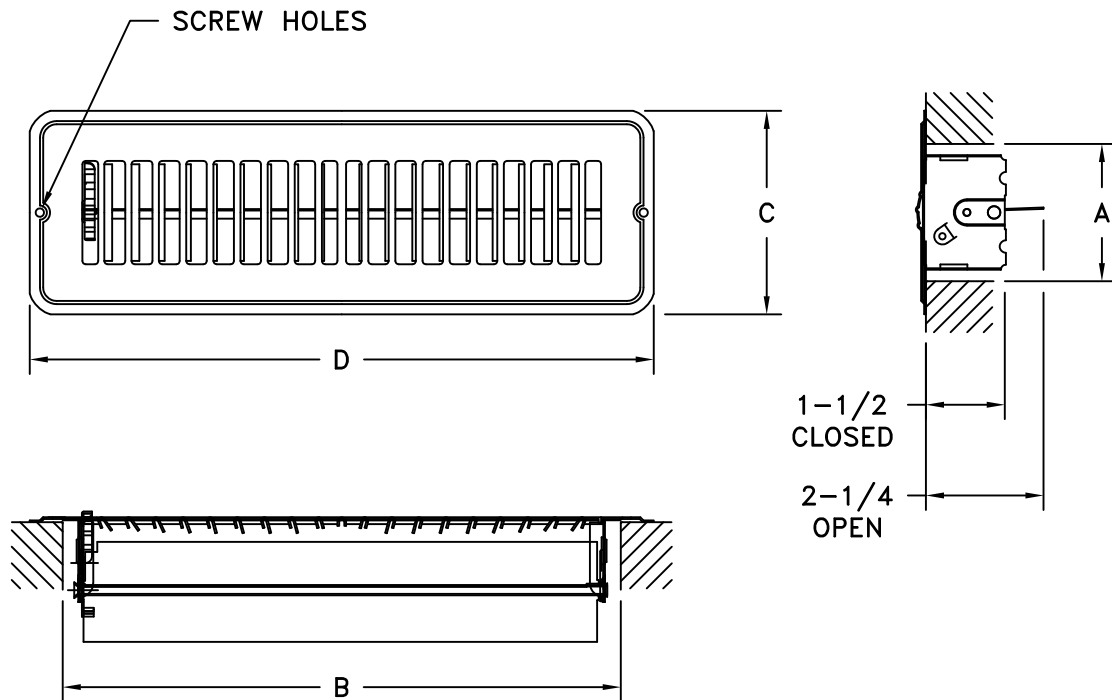


- HEAVY GAUGE STEEL CONSTRUCTION WITH COLOR MATCHED SCREWS
- MULTI-ANGLED FIN SETTING
- CAM-OPERATED DAMPER
- FINISH: WHITE (W) OR GOLDEN SAND (GS) ENAMEL



SIZE			C	D	FREE AREA SQ IN
A	X	B			
2	X	10	3-3/4	11-1/2	15
4	X	10	5-1/2	11-1/2	27
6	X	10	7-1/2	11-1/2	39

JOB NAME: _____	SUBMITTED BY: _____	DATE: 05/07/2026	SD-0124
LOCATION: _____		<b>124</b>	
ARCHITECT: _____		Steel Floor Diffuser	
ENGINEER: _____		For Mobile Homes	
CONTRACTOR: _____			