



# Model TLC

All Fuel Chimney

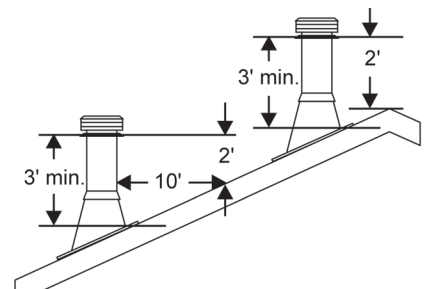
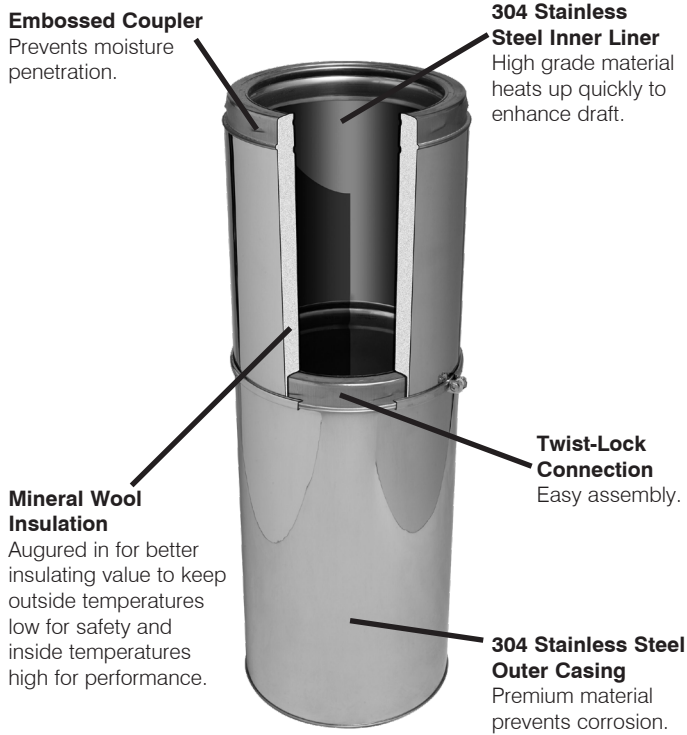




**MODEL TLC ALL-FUEL CHIMNEY**

<b>INTRODUCTION</b> .....	2	<b>FLASHINGS AND STORM COLLARS</b>	
		ROOF FLASHING SELECTION CHART .....	13
<b>STAINLESS STEEL CHIMNEY LENGTHS</b>		ADJUSTABLE FLASHING ASSEMBLY .....	13
CHIMNEY SECTIONS .....	3	TALL CONE FLASHING.....	13
STAINLESS STEEL LOCKING BANDS .....	3	RUBBER BOOT FLASHING KIT .....	14
		STORM COLLAR .....	14
<b>STAINLESS STEEL ELBOWS AND TEES</b>		<b>RAIN CAPS</b>	
CHIMNEY OFFSET CHARTS.....	5	RAIN CAPS .....	15
INSULATED 15° AND 30° ELBOW KITS .....	6	SPARK ARRESTERS .....	15
INSULATED TEE WITH TEE CAP .....	7	<b>PARTS AND ACCESSORIES</b>	
INSULATED TEE CAP .....	7	WALL BAND.....	16
<b>SUPPORTS</b>		ADJUSTABLE CEILING PLATE .....	16
ADJUSTABLE WALL SUPPORT .....	8	STOVEPIPE ADAPTER.....	17
ADJUSTABLE INTERMEDIATE WALL SUPPORT ...	8	SOFFIT PLATE.....	17
CEILING SUPPORTS.....	9	MATTE BLACK TRIM COLLAR .....	17
CATHEDRAL CEILING SUPPORT BOX.....	9	ADJUSTABLE UNIVERSAL ROOF GUY KIT .....	18
ADJUSTABLE ROOF SUPPORTS.....	10	SHIELDING INSULATION WRAP.....	18
		ANCHOR PLATE .....	18
<b>SHIELDS</b>		<b>TYPICAL INSTALLATIONS</b>	
ATTIC INSULATION SHIELD .....	11	DECORATOR CEILING SUPPORT INSTALLATIONS... ..	19
FIRESTOP RADIATION SHIELD .....	11	WALL SUPPORT INSTALLATION .....	19
FIRESTOP/JOIST SHIELD .....	11	CATHEDRAL SUPPORT INSTALLATION .....	19
RAFTER RADIATION SHIELD .....	12	<b>LIMITED LIFETIME WARRANTY</b> .....	20
BLACK WALL THIMBLE.....	12		

MODEL TLC ALL-FUEL CHIMNEY

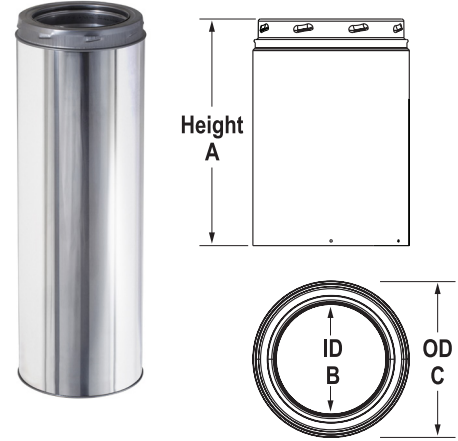


# Stainless Steel Chimney Lengths



## Chimney Lengths

- Slim, advanced design allows for installation between 16" centers and still provides 2" clearance from combustible material.
- Secure twist-lock design couples chimney sections together with just a 1/8 turn. Locking bands secure joints.
- Includes locking band.
- 5" - 8" sections overlap by 1 1/8", 10" sections overlap by 1 1/4".
- Chimneys are sized according to the inner diameter and are available in 5" through 10".
- The outside diameter is 2" larger than the inside diameter.



Model Number	Size	Dimensions		
		Ht A	ID B	OD C
5TLC36	5"	36"	5"	7"
5TLC24		24"	5"	7"
5TLC18		18"	5"	7"
5TLC12		12"	5"	7"
5TLC6		6"	5"	7"
6TLC48	6"	48"	6"	8"
6TLC36		36"	6"	8"
6TLC24		24"	6"	8"
6TLC18		18"	6"	8"
6TLC12		12"	6"	8"
6TLC6		6"	6"	8"
7TLC48		7"	48"	7"
7TLC36	36"		7"	9"
7TLC24	24"		7"	9"
7TLC18	18"		7"	9"
7TLC12	12"		7"	9"
7TLC6	6"		7"	9"
8TLC48	8"	48"	8"	10"
8TLC36		36"	8"	10"
8TLC24		24"	8"	10"
8TLC18		18"	8"	10"
8TLC12		12"	8"	10"
8TLC6		6"	8"	10"

Model Number	Size	Dimensions		
		Ht A	ID B	OD C
10TLC36	10"	36"	10"	12"
10TLC24		24"	10"	12"
10TLC18		18"	10"	12"
10TLC12		12"	10"	12"
10TLC9		9"	10"	12"
10TLC6		6"	10"	12"

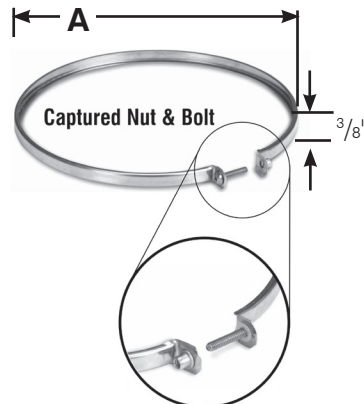
## Adjustable Chimney Lengths

- Used to adjust the system to an exact overall length
- Used between elbows for a required offset distance
- All stainless construction with telescoping design
- Locking band included
- Length adjusts from 2" - 9 1/2"
- 5", 6", 7" & 8" Sizes

Model Number	Size	Dimensions		
		Ht A	ID B	OD C
5TLCAL12	5"	12"	5"	7.31"
6TLCAL12	6"	12"	6"	8.31"
7TLCAL12	7"	12"	7"	9.31"
8TLCAL12	8"	12"	8"	10.31"

## Stainless Steel Locking Bands

- Locking bands are used at all joints for safety and stability.
- Locking band flanges engage the curl in each end of the adjoining sections, holding them securely together.

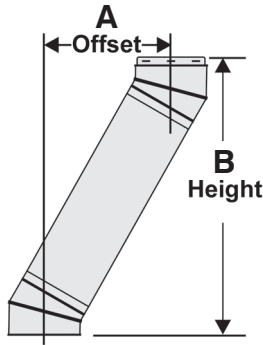


Model Number	Size	Dimension
		A
5TLCLB	5"	7"
6TLCLB	6"	8"
7TLCLB	7"	9"
8TLCLB	8"	10"
10TLCLB	10"	12"

## Chimney Offset Charts

It may be necessary to offset the chimney in order to clear a joist or an obstacle. The two (2) charts on the following page will assist you in selecting the proper combination of elbow angle and chimney length(s) that will provide the necessary degree of offset within an available height.

1. Select the column with the proper chimney diameter of your system.
2. Determine the distance of the offset required by dropping a plumb line for an accurate measurement. The offset is measured at the chimney centerline, as per the "A" Offset measurement in the diagram below.
3. On the chart, find the predetermined distance



(under the "A" column) required for the 15° elbow. For greater offset, use the 30° offset chart.

4. After finding the offset, look at the "B" (height) measurement in the chart to find the specified height. The appropriate "chimney lengths" required in between elbows is found in the left-hand side column of each chart.

### NOTE:

- Model TLC chimneys are limited to offsets not exceeding 30°. Combining elbows for greater angle is not permitted.
- One pair of (two) elbows may be used for interior installation only.
- Never install an elbow in a joist area. Chimney sections must pass vertically through framed joist areas.
- Locking Bands must be used at all chimney joints.
- Each elbow resupport will support 15 feet of chimney.
- The maximum length of chimney allowed between elbows is 6 feet.

### Chimney Offset Charts

15° OFFSET CHART								
Chimney Lengths	5" Diameter		6" Diameter		7" Diameter		8" Diameter	
	A	B	A	B	A	B	A	B
none	1-1/2"	9"	1-1/8"	10"	1-1/8"	10-1/4"	1-1/4"	10-3/8"
6"	2-1/8"	13-1/2"	2-3/8"	14-1/4"	2-3/8"	15"	2-1/2"	15-5/8"
12"	4"	19-1/8"	4"	20-1/2"	4-1/16"	20-3/4"	4-1/8"	21"
18"	5-1/2"	25"	5-1/2"	26-1/4"	5-1/2"	26-1/2"	5-5/8"	26-3/4"
24"	7-1/2"	30-1/2"	7"	32"	7-1/16"	32-1/4"	7-1/8"	32-1/2"
36"	10-1/8"	42"	10-1/4"	43-5/8"	10-1/4"	44"	10-1/4"	44-1/8"
6" + 36"	11-1/4"	48-1/4"	11-3/8"	48-3/8"	11-1/2"	48-5/8"	11-1/2"	48-7/8"
12" + 36"	12-3/4"	54"	13"	54-1/8"	13"	54-3/8"	13"	54-5/8"
18" + 36"	14-3/8"	59-3/4"	14-1/2"	60"	14-1/2"	60-1/8"	14-5/8"	60-3/8"
24" + 36"	16"	65-1/2"	16-1/8"	65-3/4"	16-1/8"	66"	16-1/8"	66-1/4"
12"+24"+36"	19"	76-1/4"	19"	76-1/4"	19"	76-1/2"	19"	76-3/4"

30° OFFSET CHART								
Chimney Lengths	5" Diameter		6" Diameter		7" Diameter		8" Diameter	
	A	B	A	B	A	B	A	B
None	3"	10"	2-3/4"	11-5/8"	3-1/8"	13"	3-1/2"	14-1/2"
6"	5-1/4"	14"	5-1/4"	15-7/8"	5-5/8"	17-1/4"	6"	18-3/8"
12"	9"	19-1/4"	8-1/4"	21"	8-5/8"	22-3/8"	9"	24"
18"	11-1/4"	24-1/2"	11-1/4"	26-1/4"	11-5/8"	27-5/8"	12"	29-1/8"
24"	14-1/4"	29-3/4"	14-1/4"	31-3/8"	14-5/8"	32-7/8"	15"	32-3/8"
36"	20"	39-3/4"	20-1/4"	41-7/8"	20-5/8"	43-1/4"	21"	44-3/4"
6" + 36"	21-7/8"	44-1/2"	22-5/8"	46"	23"	47-1/2"	23-1/2"	49"
12" + 36"	23-7/8"	50-1/8"	25-5/8"	51-1/4"	26"	52-5/8"	26-1/2"	54-1/8"
18" + 36"	27-1/8"	55-1/8"	28-5/8"	56-3/8"	29"	57-3/8"	29-1/2"	59-3/8"
24" + 36"	30-3/8"	60-5/8"	31-5/8"	61-5/8"	32"	63"	32"	64-1/2"
12"+24"+36"	37"	69-3/8"	37-1/8"	71"	37-1/2"	72-1/2"	38"	74"

15° Elbow - 2 x E15° with 1x Length		
Chimney Lengths	10" Diameter	
	Offset (A)	Height (B)
0"	1-1/16"	8-1/8"
6"	2-1/4"	12-1/2"
9"	3"	15-3/8"
12"	3-3/4"	18-1/4"
18"	5-5/16"	24-1/16"
24"	6-7/8"	29-7/8"
36"	10"	41-7/16"

15° Elbow - 2 x E15° with 2x Length		
Chimney Lengths	10" Diameter	
	Offset (A)	Height (B)
0"	1"	8-1/8"
36" X 6"	11-3/16"	45-13/16"
36" X 9"	11-15/16"	48-11/16"
36" X 12"	12-11/16"	51-9/16"
36" X 18"	14-1/4"	57-3/8"
36" X 24"	15-13/16"	63-3/16"
36" X 36"	18-15/16"	74-3/4"

30° Elbow - 2 x E30° with 1x Length		
Chimney Lengths	10" Diameter	
	Offset (A)	Height (B)
0"	3-3/4"	14"
6"	4-15/16"	18-3/8"
9"	5-11/16"	21-1/4"
12"	6-7/16"	24-1/8"
18"	8"	29-15/16"
24"	9-9/16"	35-3/4"
36"	12-11/16"	47-5/16"

15° Elbow - 2 x E30° with 2x Length		
Chimney Lengths	10" Diameter	
	Offset (A)	Height (B)
0"	3-3/4"	14"
36" X 6"	23-1/4"	47-3/4"
36" X 9"	24-3/4"	50-3/8"
36" X 12"	26-1/4"	33"
36" X 18"	29-1/4"	58-3/16"
36" X 24"	32-1/4"	63-3/8"
36" X 36"	38-1/4"	73-3/4"

# Stainless Steel Elbows and Tees

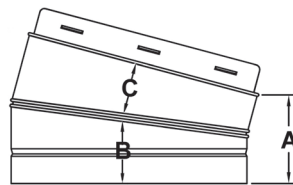


## Insulated 15° and 30° Elbow Kits

- The insulated elbow is used when offset is required.
- Locking bands must be used on all elbows.
- A maximum of 6 feet is allowable between offsets.
- Elbow is fully insulated and can be used with the same 2-inch clearance as chimney lengths.
- Elbow support must be used with all offset installations and will support 15 feet of chimney.
- Elbows do not have twist-locking ridges, so they can be rotated to attain optimum positioning offset and allow chimney to return to correct vertical alignment prior to installing locking bands.
- May not be used outdoors.
- All sizes are available in 15° & 30° kits only.
- Elbow kits include:
  - 2 elbows
  - 2 locking bands (Exception: 10" size includes four locking bands)
  - 1 elbow support
  - All hardware



Size	Model Number	Dimensions (inches)			
		A	B*	C	
15°	5"	5TLCEK15	3 3/8	2 7/16	11 5/16
	6"	6TLCEK15	3 3/8	2 1/2	2
	7"	7TLCEK15	3 3/8	2 9/16	2 1/16
	8"	8TLCEK15	3 3/8	2 5/8	2 1/8
	10"	10TLCEK15	2 1/2	N/A	N/A

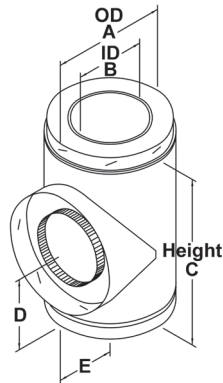


Size	Model Number	Dimensions (inches)			
		A	B	C	
30°	5"	5TLCEK30	2 3/4	2 9/16	2 9/16
	6"	6TLCEK30	3 1/4	3 1/16	2 9/16
	7"	7TLCEK30	3 3/4	3 7/16	21 5/16
	8"	8TLCEK30	4 1/4	3 7/8	3 3/8
	10"	10TLCEK30	5	N/A	N/A



## Insulated Tee with Tee Cap

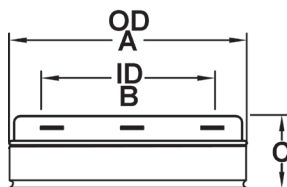
- The insulated chimney tee may be used for through-the-wall installation, using a wall support.
- A chimney length is required to pass safely through a wall.
- Includes the following:
  - Two locking bands
  - 5" to 8" sizes have an **uninsulated** (single-wall) twist-lock tee cap.
  - 10" sizes have an insulated press fit tee cap.



Model Number	Size	Dimensions (inches)				
		OD A	ID B	Height C	D	E
5TLCT	5"	7	5	10 1/2	5	5
6TLCT	6"	8	6	11 1/2	5 5/8	5 3/4
7TLCT	7"	9	7	12 1/4	6 1/4	6 3/16
8TLCT	8"	10	8	13 3/8	6 5/8	6 1/2
10TLCT	10"	12	10	16 3/4	8 3/8	8 3/8

## Insulated Tee Cap

- Permits typical 2" airspace clearance to combustibles.
- 5" to 8" sizes are twist-lock.
- 10" size is press-fit design.

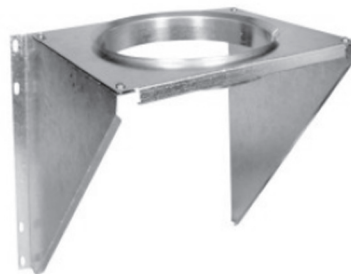
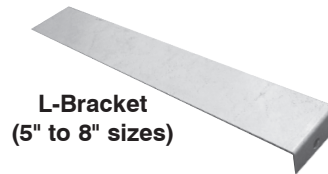
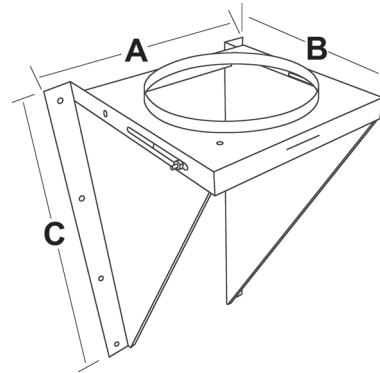
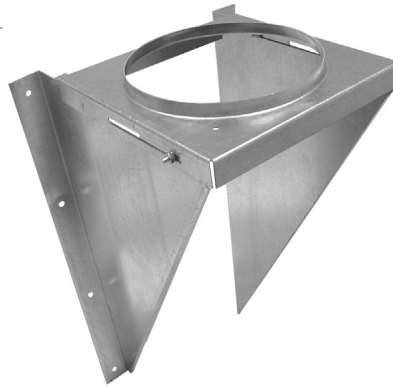


Model Number	Size	Dimensions (inches)		
		OD A	ID B	C
5TLCITP	5"	7	5	2 7/8
6TLCITP	6"	8	6	2 7/8
7TLCITP	7"	9	7	2 7/8
8TLCITP	8"	10	8	2 7/8
10TLCITP	10"	12	10	2

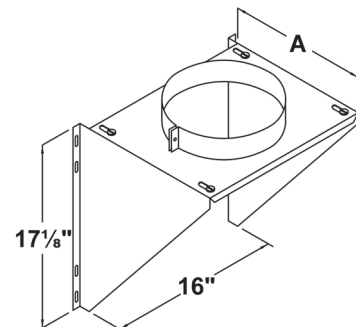
## Adjustable Wall Support

- Used to support the chimney on a through-the-wall installation.
- 5" to 8" sizes include top plate, side brackets, hardware, non-twist-lock insulated tee cap, and a long L-bracket to hold tee cap in place.
- 10" size does not include the cap. Use tee cap packaged with tee.
- 2" to 6" clearance away from wall.
- 5" to 8" sizes support between 30 feet and 74 feet of chimney, based on size and orientation. See instructions for specific heights.
- 10" size supports up to 40 feet of chimney.

Model Number	Size	Dimension (inches)			
		A	B	C	Adjustability
5TLCAWS	5"	12	10 5/8	18 7/8	4
6TLCAWS	6"	12	10 5/8	18 7/8	4
7TLCAWS	7"	13	11 5/8	20 1/2	4
8TLCAWS	8"	14	12 5/8	21 7/8	4
10TLCAWS	10"	16	14 5/8	25 1/4	4



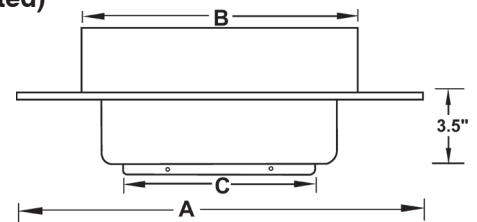
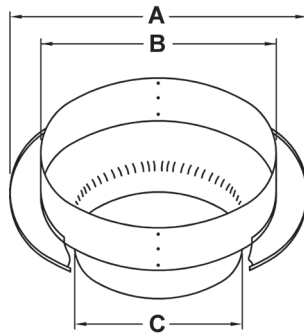
Model Number	Size	Dimension (inches)
		A
6TLCIWS	6"	11
7TLCIWS	7"	12
8TLCIWS	8"	13



## Ceiling Supports

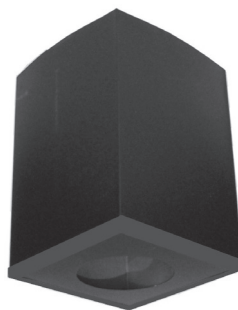
- For use in flat ceiling support installations.
- Supports a total of 50 feet of chimney above.
- Chimney pipe **cannot** pass below support.
- Matte black finish with ceiling ring to cover rough opening.
- Also acts as a firestop.
- Must always use stovepipe adapter. See page 17.

Model Number	Size	Dimensions (inches)		
		A	B	C
5TLCCSR	5"	16 7/8	11 3/8	6 3/4
6TLCCSR	6"	17 7/8	12 3/8	7 3/4
7TLCCSR	7"	18 7/8	13 3/8	8 3/4
8TLCCSR	8"	19 5/8	14 3/8	9 3/4
10TLCCS	10"	18 1/2	16 1/4	10 1/4

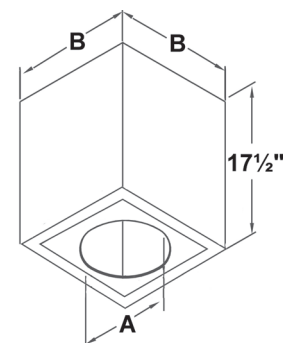


## Cathedral Ceiling Support Box

- Used in pitched ceiling support installations.
- Supports a total of 38 feet of chimney with up to 15 feet below support. Includes support clamp, allowing chimney pipe to pass below support.
- Matte black finish with ceiling trim to cover rough opening.
- Also acts as a firestop with use of trim plate.
- 12/12 maximum pitch.



Model Number	Size	Dimensions (inches)	
		A	B
5TLCCSS	5"	7 1/8	11
6TLCCSS	6"	8 1/8	12
7TLCCSS	7"	9 1/8	13
8TLCCSS	8"	10 1/8	14

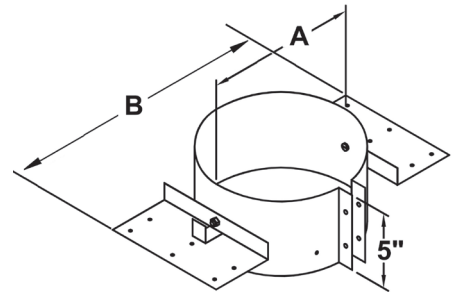


**Adjustable Roof Support**

- The roof support may be used on a roof and adjusts to any roof pitch.
- It may be used above an offset to support the offset or as a supplementary support when the chimney height exceeds that of the primary support.
- Supports a total of 30 feet of chimney with up to 20 feet below support.
- Does not act as a firestop.



Model Number	Size	Dimensions (inches)	
		A	B
5TLCRS	5"	7	16
6TLCRS	6"	8	17
7TLCRS	7"	9	18
8TLCRS	8"	10	19

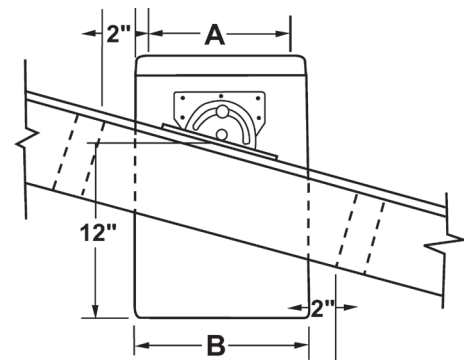


**Adjustable Roof Support**

- Contains one 18-inch length of pipe with roof brackets preinstalled. Includes hardware.
- Fits all roof pitches. Mounts easily on top of roof.
- Supports a total of 30 feet with up to 20 feet below the support.
- Does not act as a firestop.



Model Number	Size	Dimensions (inches)	
		A	B
10TLCRS	10"	10	12

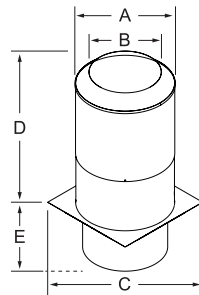


## Attic Insulation Shield

- The attic insulation shield with drop down must be installed where the chimney enters the attic space in any installation.
- Designed to keep insulation away from the chimney and to maintain the mandatory 2-inch clearance to combustibles.
- Adjustable from 12" to 22".
- Drop down shield protects joist area.

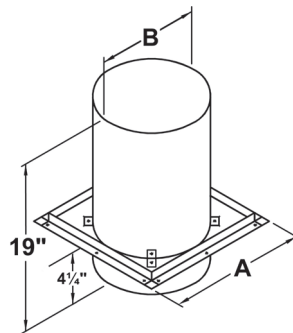


Model Number	Size	Dimensions (inches)				
		A	B	C	D	E
5TLCAAIS	5"	11-7/16	7-3/16	13	12 to 22	8-1/2
6TLCAAIS	6"	12-7/16	8-3/16	14	12 to 22	8-1/2
7TLCAAIS	7"	13-7/16	9-3/16	15	12 to 22	8-1/2
8TLCAAIS	8"	14-7/16	10-3/16	16	12 to 22	8-1/2
10TLCAAIS	10"	16-7/16	12-3/16	18	12 to 22	8-1/2



## Firestop Radiation Shield

- Required where an enclosed chimney passes from a lower living space into an upper living space.
- The Firestop Plate together with the framing maintains the mandatory 2-inch clearance to combustibles.



Model Number	Size	Dimensions (inches)	
		A	B
5TLCFRS	5"	13	9
6TLCFRS	6"	14	10
7TLCFRS	7"	15	11
8TLCFRS	8"	16	12

## Firestop/Joist Shield

- Used in floor/ceiling penetrations, other than those that include a ceiling support.
- Not required when passing through roof.

Model Number	Size	Dimensions (inches)			
		A	B	C	D
10TLCFRS	10"	12 1/8	14	18	16

Can be installed in either orientation

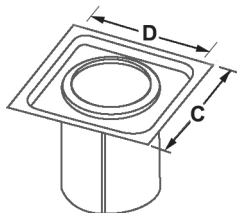


Plate on top of joist

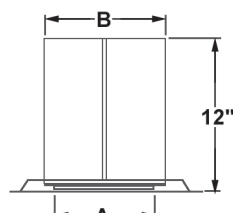
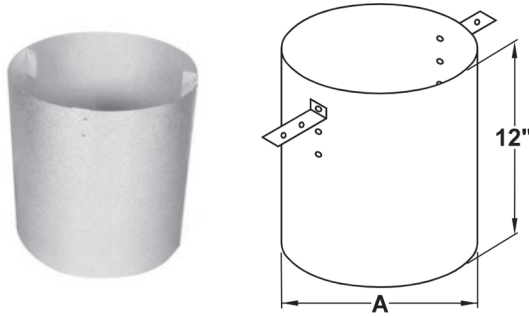


Plate on bottom of joist

# Shields

## Rafter Radiation Shield

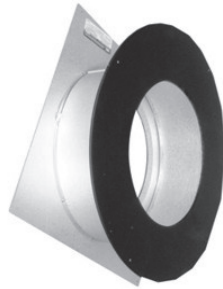
- The rafter radiation shield must be installed immediately below the roof flashing, inside any enclosure.



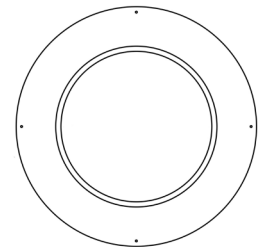
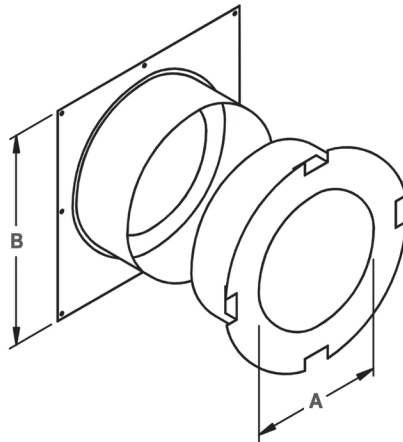
Model Number	Size	Dimension (inches)	
		A	
5TLCRRS	5"	9	
6TLCRRS	6"	10	
7TLCRRS	7"	11	
8TLCRRS	8"	12	

## Black Wall Thimble

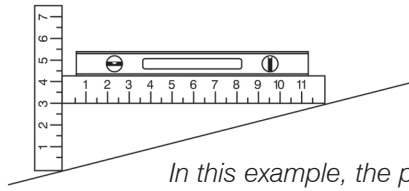
- Used in a wall support installation.
- Radiation shield is included with spacers, which maintain the mandatory 2-inch clearance to combustibles.
- Attractive matte black finishing trim plate is included.
- Adjustable wall thickness from 4½" to 8¾" for 5" to 8" sizes and from 6" to 11" for 10" size.



Model Number	Size	Dimension (inches)	
		A	B
5TLCWT	5"	7 1/8	16
6TLCWT	6"	8 1/8	16
7TLCWT	7"	9 1/8	16
8TLCWT	8"	10 1/8	16
10TLCWT	10"	12 1/8	18



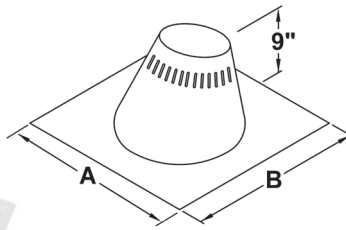
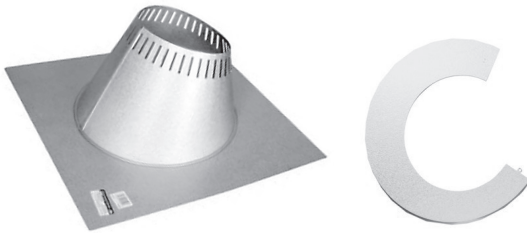
## Roof Flashing Selection Chart



To determine what roof flashing you'll require, you must determine the pitch of the roof. To determine the pitch, you'll need two rulers and a level. Measure the number of inches from the end of the level down to the roof.

### Adjustable Flashing Assembly - Flat to 6/12 Pitch

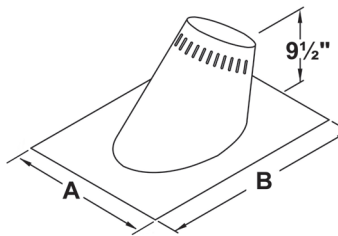
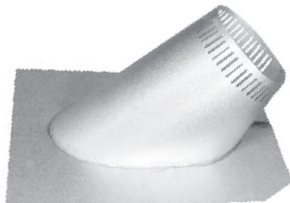
- Used where the chimney passes through a roof with a pitch of Flat to 6/12.
- Comes complete with storm collar.
- All seams are sealed with silicone sealant.
- Galvalume construction.



Model Number	Size	Dimensions (inches)	
		A	B
5TLCF6	5"	24	24
6TLCF6	6"	24	24
7TLCF6	7"	24	24
8TLCF6	8"	27 1/2	27 1/2
10TLCF6	10"	27	31 7/8

### Adjustable Flashing Assembly - 6/12 to 12/12 Pitch

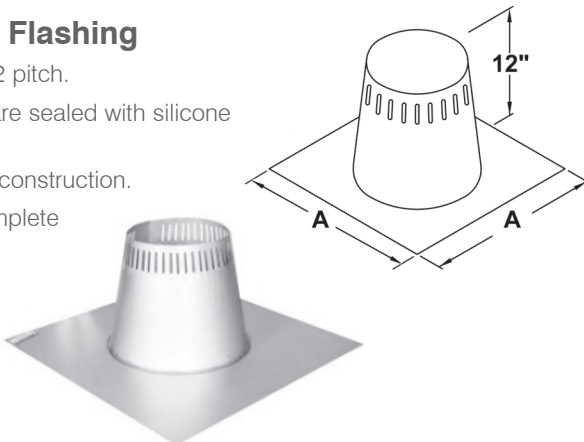
- Used where the chimney passes through a roof with a pitch of 6/12 to 12/12.
- Comes complete with storm collar.
- All seams are sealed with silicone sealant.
- Galvalume construction.



Model Number	Size	Dimensions (inches)	
		A	B
5TLCF12	5"	21 1/2	30
6TLCF12	6"	21 1/2	30
7TLCF12	7"	21 1/2	30
8TLCF12	8"	21 1/2	30
10TLCF12	10"	36	37 1/2

### Tall Cone Flashing

- 0/12 to 2/12 pitch.
- All seams are sealed with silicone sealant.
- Galvalume construction.
- Comes complete with storm collar.



# Flashings and Storm Collars



## Rubber Boot Flashing Kit

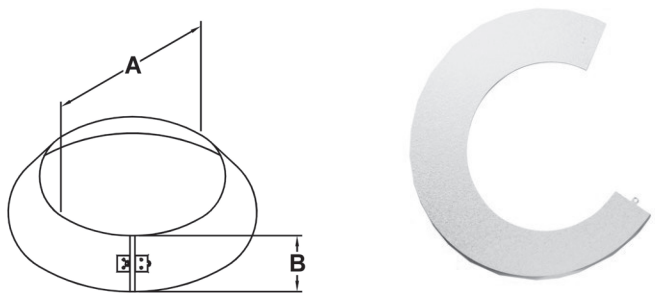
- This kit fits 5", 6", 7" and 8" chimneys.
- Used where the chimney passes through a corrugated roof.
- Rubber boot flashing fits roof pitches up to 10/12.
- Kit includes:
  - Special Storm Collar
  - Rubber Boot
  - Spacer Kit
  - Special Boot-Mounting Screws
- UL-listed.



Model Number	Size
TLCRBF	5" - 8"

## Storm Collar

- Used in conjunction with roof flashing to keep precipitation out.

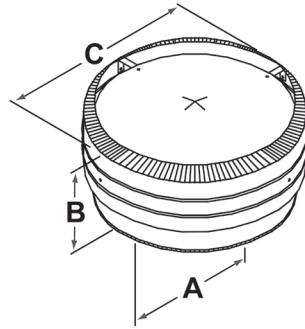


Model Number	Size	Dimensions (inches)	
		A	B
5TLCSC	5"	7	4 1/2
6TLCSC	6"	8	4 1/2
7TLCSC	7"	9	4 1/2
8TLCSC	8"	10	4 1/2
10TLCSC	10"	12	5 1/2



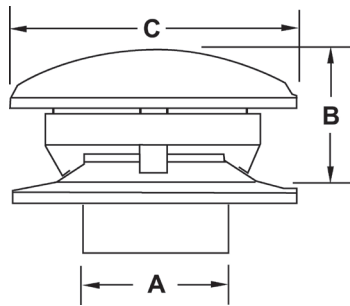
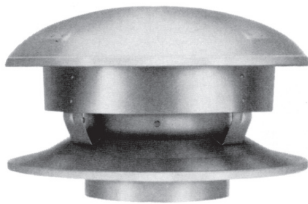
## Deluxe Rain Caps

- Advanced design, premium quality stainless steel.
- Provides protection against the elements.

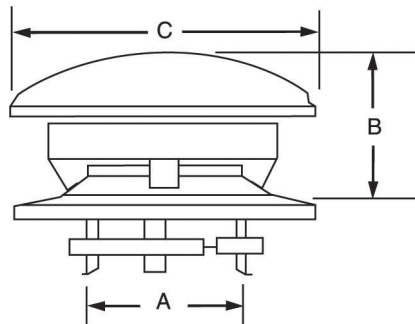


5" to 8" Model TLCC with twist lock connection

Model Number	Size	Dimensions (inches)		
		A	B	C
5TLCC	5"	7	7 1/2	11 1/4
6TLCC	6"	8	7 1/2	11 1/4
7TLCC	7"	9	7 1/2	13 1/4
8TLCC	8"	10	8	14 1/4
10TLCC	10"	10	8 1/2	20



10" Model TLCC with expanding collar connection

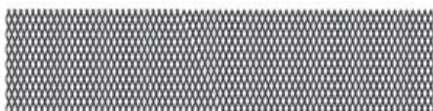


5" to 8" Model TLCCD with cinch band connection

Model Number	Size	Dimensions (inches)		
		A	B	C
5TLCCD	5"	7	5	10
6TLCCD	6"	8	5 1/2	12
7TLCCD	7"	9	6 1/4	14
8TLCCD	8"	10	7	16

## Spark Arresters

- For use with 6" to 10" caps.



Model Number	Size
*6TLCSA	6"
*7TLCSA	7"
*8TLCSA	8"
10TLCSA	10"

Stainless Steel

Model Number	Size
6TLCSAD	6"
7TLCSAD	7"
8TLCSAD	8"



Fits Model "CD" Round Top only (6", 7" and 8")

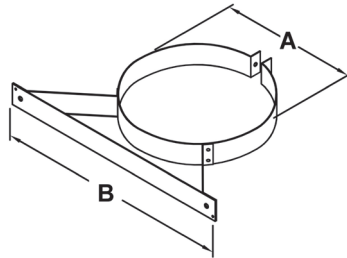
\*Fits Model "C" Deluxe Rain Cap only.

# Parts and Accessories



## Wall Band

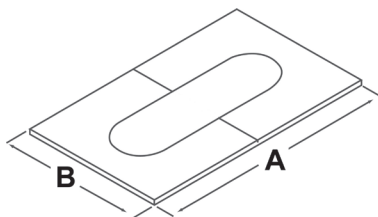
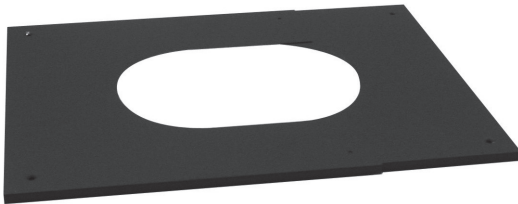
- Stainless steel construction.
- Provides lateral support for the chimney when installed adjacent to a wall.
- Maintains the mandatory 2-inch clearance to combustibles.
- Used above the tee, then every 8 feet thereafter.



Model Number	Size	Dimensions (inches)	
		A	B
5TLCWB	5"	7	17
6TLCWB	6"	8	17
7TLCWB	7"	9	17
8TLCWB	8"	10	17
10TLCWB	10"	12	17

## Adjustable Ceiling Plate

- Matte black finish.
- Adjusts to multiple ceiling pitches.
- Covers 2-inch space around chimney for attractive finish.



## Flat to 6/12 Pitch

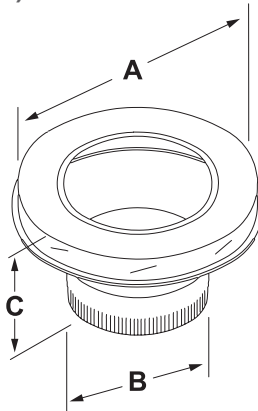
Model Number	Size	Dimensions (inches)	
		A	B
5TLCACP	5"	18 to 29	15 1/2
6TLCACP	6"	19 to 30	16 1/2
7TLCACP	7"	20 to 31	17 1/2
8TLCACP	8"	21 to 33	18 1/2
10TLCACP	10"	23 to 37	20 1/2

## 6/12 to 12/12 Pitch

Model Number	Size	Dimensions (inches)	
		A	B
5TLCACPT	5"	18 to 29	15 1/2
6TLCACPT	6"	19 to 30	16 1/2
7TLCACPT	7"	20 to 31	17 1/2
8TLCACPT	8"	21 to 33	18 1/2
10TLCACPT	10"	23 to 37	20 1/2

## Stovepipe Adapter (stainless steel)

- For quick and easy transition from black stovepipe to factory-built chimney.
- Twist-lock for easy connection.
- 5" to 8" is black.
- 10" is unpainted and not as shown.

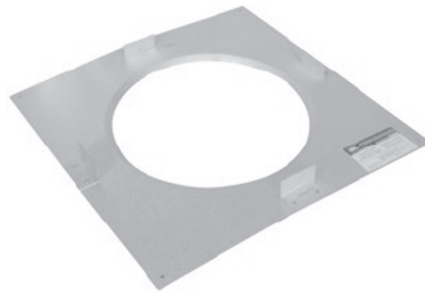


Model Number	Size	Dimensions (inches)		
		A	B	C
5TLCSPA	5"	7	5	5 1/16
6TLCSPA	6"	8	6	5 1/16
7TLCSPA	7"	9	7	5 1/16
8TLCSPA	8"	10	8	5 1/16

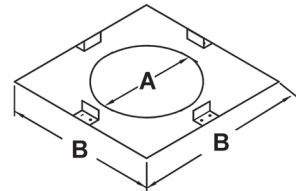
Model Number	Dimensions (inches)		
	A	B	C
10TLCSPA	10	12	3

## Soffit Plate

- Used where the chimney passes through a soffit to provide a finished appearance.
- Maintains the mandatory 2-inch clearance to combustibles.
- Does not act as a firestop.



Model Number	Size	Dimensions (inches)	
		A	B
5TLCSP	5"	7 1/8	13
6TLCSP	6"	8 1/8	14
7TLCSP	7"	9 1/8	15
8TLCSP	8"	10 1/8	16

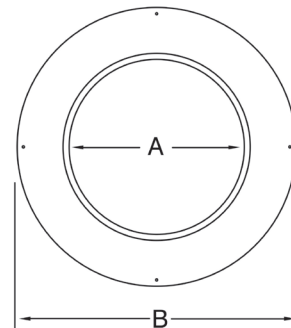


## Matte Black Trim Collar

- Used on wall support installations when passing through a noncombustible wall.
- Matte black finish for an enhanced hand-crafted appearance.



Model Number	Size	Dimensions (inches)	
		A	B
5TLCTC	5"	7 1/8	16
6TLCTC	6"	8 1/8	16
7TLCTC	7"	9 1/8	16
8TLCTC	8"	10 1/8	16

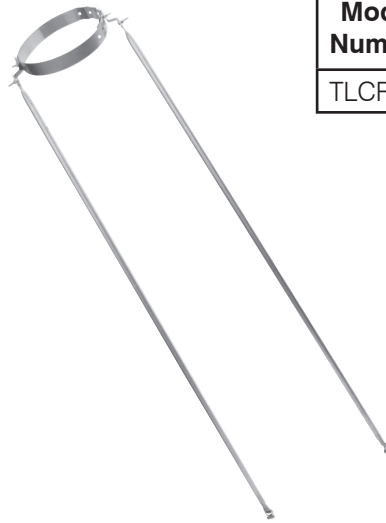


## Parts and Accessories

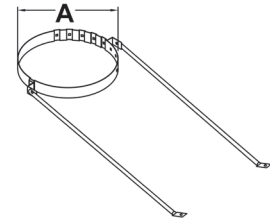


### Adjustable Universal Roof Guy Kit

- Used when more than 5 feet of chimney extends from the roof.
- The kit includes two expandable rods and one adjustable band.
- Each rod adjusts from 4' - '.
- The adjustable band will fit 7" - 10" OD chimneys.

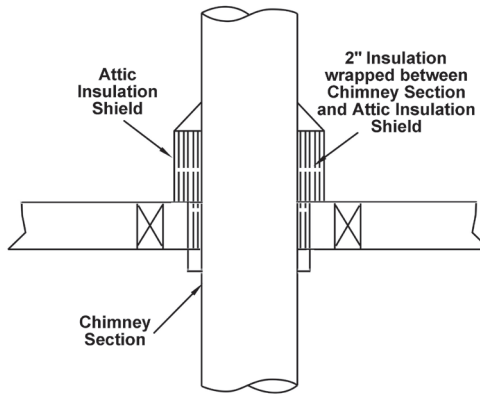


Model Number	Dimensions (inches)	
	A	
TLCRGK	7" to 10"	



### Shielding Insulation Wrap

- Insulation for use with Attic Insulation Shield, Wall Thimble and Cathedral Ceiling Support Box.
- Protects building materials against radiant heat from the chimney.
- Helps maintain temperatures within the chimney system and within the housing envelope to prevent condensation on exterior.
- UL-listed specifically for TLC chimney.



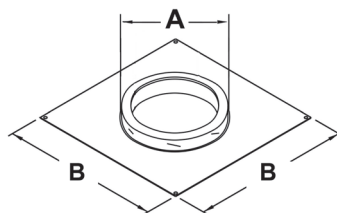
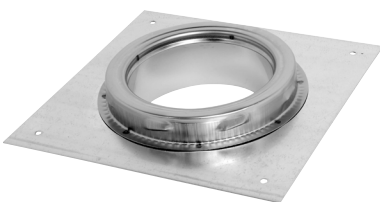
Model Number	Roll Size
TLCSI	12" x 48" x 2"



### Anchor Plate

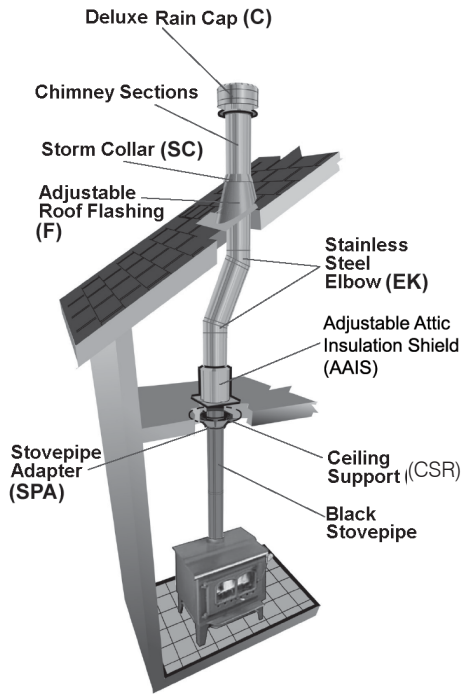
- To be used with specifically listed zero-clearance fireplaces for direct connection of all-fuel chimney.
- 5" to 8" sizes are 14-gauge galvanized base plate, and 10" size is 10-gauge galvanized base plate.

Model Number	Size	Dimensions (inches)	
		A	B
5TLCAP	5"	7	11 5/8
6TLCAP	6"	8	11 5/8
7TLCAP	7"	9	11 5/8
8TLCAP	8"	10	11 5/8
10TLCAP	10"	12	13 1/4

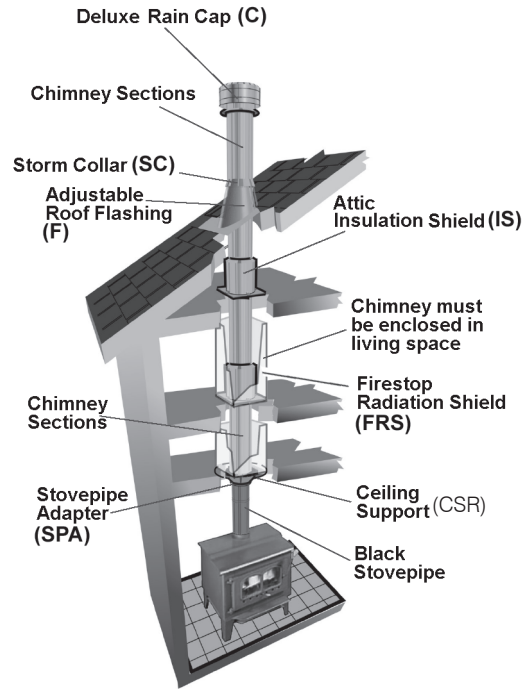


## Decorator Ceiling Support Installations

### One-Story Installation

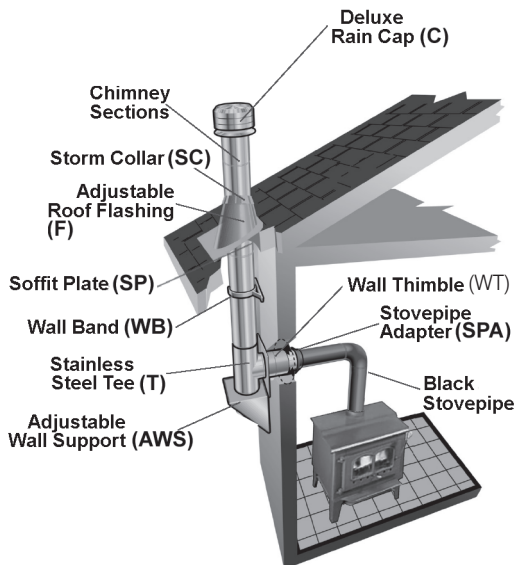


### Multi-Story Installation



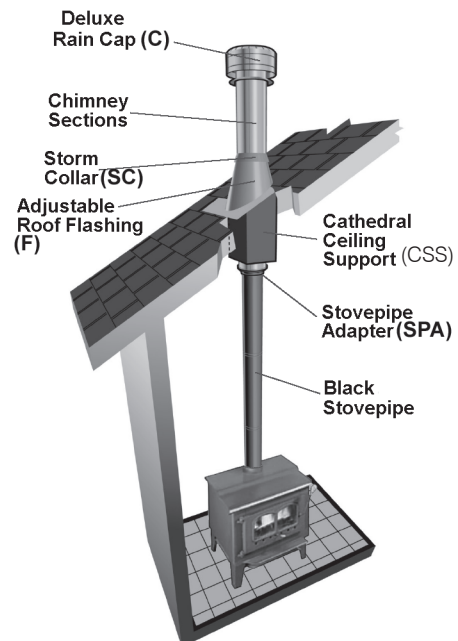
## Wall Support Installation

### Through a Soffit



## Cathedral Support Installation

### With Cathedral Ceiling Support Box







BUILD FOR THE FUTURE

Customer Service and Support:

Airmate (USA).....	800.992.8368
Airmate (CAN) .....	888.735.5475
Ameriflow .....	800.252.8467
Amerivent (Retail).....	800.252.8467
Amerivent (Hearth & Wholesale) ....	800.423.4270
Amerivent (Support).....	800.748.0392
AMPCO (USA) .....	800.669.3269
AMPCO (CAN).....	888.735.5475
Builder’s Best .....	903.586.8283
Duravent .....	800.835.4429
Hart & Cooley.....	800.433.6341
Hart & Cooley (Support).....	800.748.0392
Heatfab (USA).....	800.772.0739
Heatfab (CAN) .....	800.848.2149
Lima.....	800.423.4270
Milcor .....	800.774.5240
Portals Plus.....	800.774.5240
RPS.....	800.624.8642
Security Chimney (USA).....	800.361.4909
Security Chimney (CAN) .....	800.667.3387
Selkirk (USA) Residential .....	800.992.8368
Selkirk (USA) Commercial.....	800.848.2149
Selkirk (USA) Support.....	800.748.0392
Selkirk (CAN) .....	888.735.5475

Manufacturing & Distribution Centers:

CANADA	
Nobel, ON	Manufacturing
Laval, QC	Manufacturing
Prescott, ON	Distribution
USA	
Grand Rapids, MI	Center of Excellence
Dallas, TX	Distribution
Englewood, OH	Distribution
Huntsville, AL	Manufacturing & Distribution
Jacksonville, TX	Manufacturing & Distribution
Las Vegas, NV	Distribution
Plant City, FL	Manufacturing
Turner Falls, MA	Manufacturing & Distribution
Vacaville, CA	Manufacturing
MEXICO	
Ojinaga, MX	Manufacturing
Mexicali, MX	Manufacturing

Corporate Headquarters:

Duravent Group  
 28 W. Adams, Suite 1810  
 Detroit, MI 48226  
 Tel: 800.835.4429  
 Email: [info@duraventgroup.com](mailto:info@duraventgroup.com)  
[www.duraventgroup.com](http://www.duraventgroup.com)



**duravent**<sup>™</sup>  
GROUP

BUILD FOR THE FUTURE

[www.duraventgroup.com](http://www.duraventgroup.com)



For warranty information:  
Scan this QR code or visit  
[www.duraventgroup.com/warranties](http://www.duraventgroup.com/warranties)