



DuraTech[®] LDC

10"-24" All-Fuel, Double-Wall Large Diameter Chimney



TABLE OF CONTENTS

DuraTech 10"-24" Specifications.....	4
Typical Installations	5
Planning Your Installation.....	6
DuraTech 10"-24" Lengths and Components.....	7-17
Elbow Offset Chart for 10"-24" DuraTech	9
Chimney Sizing Chart.....	18

What makes us different from the rest?

DuraTech LDC: The optimum in safety and performance for an all-fuel chimney.



DuraTech LDC Feature	Benefit
UL 103 Type HT Listed	10"-16" Diameters are tested and listed to UL 103 Type HT making DuraTech LDC ideal for factory-built fireplaces, large masonry fireplaces, and appliances requiring UL 103 Type HT.
10" through 24" Diameters	Gives the installer a large variety of diameters and components to fit fireplaces or appliances up to 24".
6", 12", 18", 24", and 36" Lengths	Gives the installer the greatest variety of lengths to reach the desired height with the least amount of pipe sections.
430 Stainless Steel Inner Wall	Corrosion resistant stainless steel for the least amount of expansion when exposed to heat.

DuraTech LDC Feature	Benefit
1" Ceramic Thermal Blanket Insulation	Ensures complete and consistent insulation coverage between inner and outer walls.
15° and 30° Elbows	Allows installer to easily offset around an obstacle such as a joist or truss. Two elbows are required for each offset.
Stainless Steel Chimney Caps	Removeable for inspection and maintenance of chimney.
Duravent Group Limited Lifetime Warranty	The best Warranty in the industry. Gives the homeowner the greatest peace of mind.

DuraTech LDC

Duravent Group offers DuraTech LDC to vent large-scale residential fireplaces (masonry and factory-built) and other appliances.

In the US, DuraTech LDC can be used on masonry fireplaces and specific Factory-Built Fireplaces listed to UL 127 when specified in the fireplace manufacturer's installation instructions.

In Canada, DuraTech LDC is listed to CAN/ULC-604 for Factory-Built Type A Chimneys for connection to gas and oil fired appliances. DuraTech LDC may also be used with specific Factory-Built Fireplaces listed to CAN/ULC-610 when specified in the fireplace manufacturer's installation instructions.

DuraTech LDC 10"-16"

Listing: UL 103 Type HT

Temperature Ratings: 2100°F (Maximum Test 10 min. x 3)
1400°F (Maximum for 60 min.)
1000°F (Maximum Continuous Operating Temperature)

DuraTech LDC 18"-24"

Listing: UL 103

Temperature Ratings: 1700°F (Maximum Test 10 min.)
1400°F (Maximum for 60 min.)
1000°F (Maximum Continuous Operating Temperature)

DuraTech LDC 10"-24"

Listing: CAN/ULC 604

Temperature Rating: 1700°F (Maximum Test 10 min.)
1400°F (Maximum for 60 min.)
1000°F (Maximum Continuous Operating Temperature)

Applications

DuraTech LDC is a Factory-Built Chimney intended for use with atmospheric-draft combustion appliances. Use with certified factory-built or masonry fireplaces, furnaces, boilers, and other appliances using solid fuel, oil, or gas. Check the manufacturer's installation instructions and local codes.

Materials and Construction

10"-24" diameter pipes feature... Inner wall 430 stainless steel (.027") Outer wall of galvalume (.029") or 430 stainless steel (.027"). Ceramic thermal blanket insulation is encased between the walls. Stainless pipes use stainless end rings. Galvalume pipe uses galvalume end rings.

Clearances

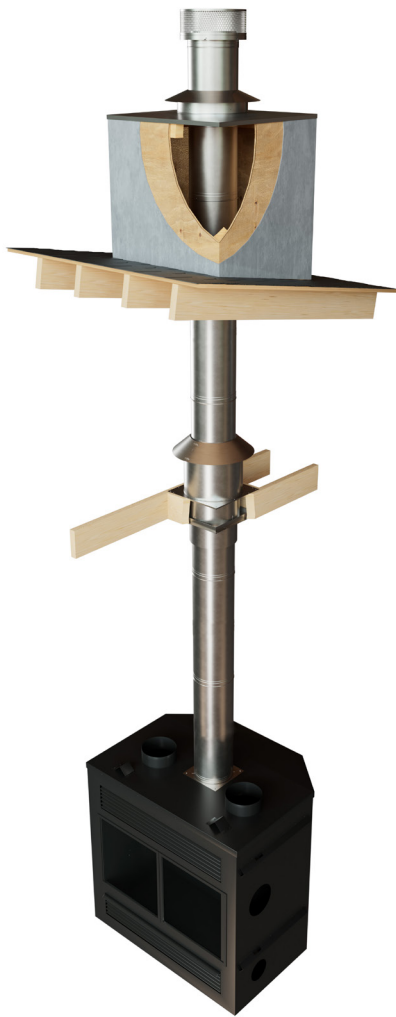
2" clearance to combustibles.

Diameters

10", 12", 14", 16", 18", 20", 22", and 24".



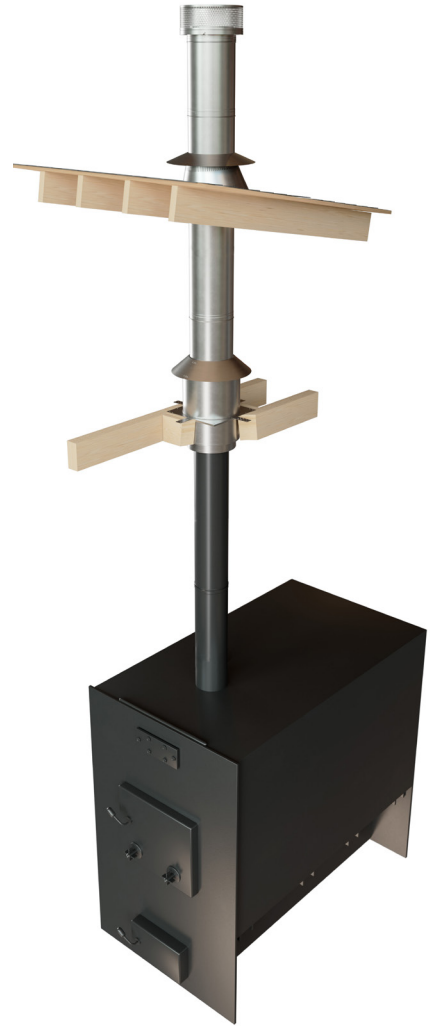
Typical Installations For 10" - 24" DuraTech



Factory-Built Fireplace Installation



Masonry Fireplace Installation



Blast Furnace Installation

Planning Your Installation

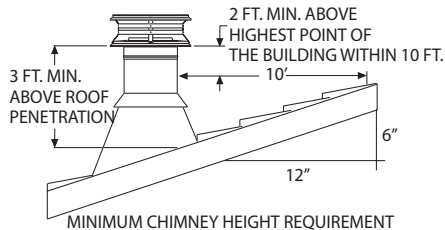


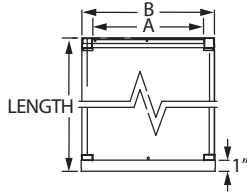
Figure 1

The following recommendations are general guidelines to assist in the layout and selection of the chimney components needed for your installation. Always follow Duravent Group installation instructions, found with the cap or support, when installing your chimney system. Installation instructions can be accessed online, please visit www.duraventgroup.com/dt-ldc.

- The diameter of the chimney should match the outlet size of the appliance. A properly sized chimney results in improved draft and less creosote formation. Measure the diameter of the appliance flue outlet. Select the chimney and connector stovepipe with the same size diameter as the appliance flue outlet. For masonry fireplace installations, refer to the sizing chart in this catalog.
- Determine if the installation is a through-the-roof installation or a through-the-wall installation.
- Install the chimney in the interior of the structure whenever possible. A cold exterior chimney will produce less draft and will generate more creosote.
- When possible, avoid installation with an offset. A straight, vertical installation will result in stronger draft and reduced accumulation of creosote. If necessary, one offset is permitted to avoid an obstruction. Elbows are fixed at 15° or 30°. Elbows greater than 30° are not allowed. Refer to the offset table shown on (page 9) of this catalog. At least one Elbow Strap is required for the offset to ensure adequate support.
- Determine the minimum chimney height above the roof line. Building codes require a minimum of 3' above the roof penetration and at least 2' higher than any portion of a building within 10'. See figure 1. The termination cap is installed above that point. If the chimney extends more than 4 feet above the roof, an Extended Roof Bracket must be used.
- Measure the roof pitch. For example, a 6/12 pitch has a vertical rise of 6" over a horizontal distance of 12". Select the appropriate flashing.
- Determine the total length of chimney and stovepipe required for the installation. To calculate the installed length of 10"-24" diameter, subtract 1" per joint. Subtract 1 ¼" per joint of DuraBlack stovepipe. Most large diameter chimneys are intended to be mounted directly to an appliance, a masonry fireplace or a factory-built fireplace, refer to the appliance manufacturer's instructions for height limits.
- Be fire safe. Maintain at least 2" clearance to combustibles. Follow local building codes and have your chimney inspected by a certified professional.

DuraTech® LDC 10"-24"

Chimney Pipe



10" - 24" Diameters - Stainless Steel inner wall. Available with Galvalume (GA) or Stainless Steel (SS) outer wall. Requires fastening with screws.

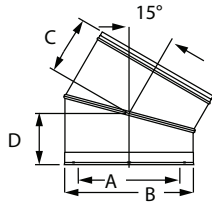
DuraTech LDC (10"-12" diameters) 24" and 36" lengths are available with additional protective carton filler for shipping. Available items have stock numbers with (CF). 18"-24" diameters are built to order and are not returnable.

To calculate installed length of 10", 12", 14", 16", 18", 20", 22" or 24" DuraTech Chimney, subtract 1" from each joint overlap of chimney pipe. Important: Allow a minimum of 2" air space to combustibles when installing DuraTech Chimney.

SIZE	10"		12"		14"		16"	
	MODEL CODE	ORDER #	MODEL CODE	ORDER #	MODEL CODE	ORDER #	MODEL CODE	ORDER #
A	10"		12"		14"		16"	
B	12"		14"		16"		18"	
6" GA	10DT-06	810000282	12DT-06	810000320	14DT-06	810000354	16DT-06	810000386
12" GA	10DT-12	810000283	12DT-12	810000321	14DT-12	810000355	16DT-12	810000387
12" SS	10DT-12SS	810000284	12DT-12SS	810000322	14DT-12SS	810000356	16DT-12SS	810000388
18" GA	10DT-18	810000285	12DT-18	810000323	14DT-18	810000357	16DT-18	810000389
18" SS	10DT-18SS	810000286	12DT-18SS	810000324	14DT-18SS	810000358	16DT-18SS	810000390
24" GA	10DT-24	810000287	12DT-24	810000325	14DT-24	810000359	16DT-24	810000391
24" GA	10DT-24CF	810000288	12DT-24CF	810000326	--	--	--	--
24" SS	10DT-24SS	810000289	12DT-24SS	810000327	14DT-24SS	810000360	16DT-24SS	810000392
36" GA	10DT-36	810000290	12DT-36	810000328	14DT-36	810000361	16DT-36	810000393
36" GA	10DT-36CF	810000291	12DT-36CF	810000329	--	--	--	--
36" SS	10DT-36SS	810000292	12DT-36SS	810000330	14DT-36SS	810000362	16DT-36SS	810000394

SIZE	18"		20"		22"		24"	
	MODEL CODE	ORDER #	MODEL CODE	ORDER #	MODEL CODE	ORDER #	MODEL CODE	ORDER #
A	18"		20"		22"		24"	
B	20"		22"		24"		26"	
12" GA	18DT-12	810000418	20DT-12	810000442	22DT-12	810000466	24DT-12	810000489
12" SS	18DT-12SS	810000419	20DT-12SS	810000443	22DT-12SS	810000467	24DT-12SS	810000490
18" GA	18DT-18	810000420	20DT-18	810000444	22DT-18	810000468	24DT-18	810000491
18" SS	18DT-18SS	810000421	20DT-18SS	810000445	22DT-18SS	810000469	24DT-18SS	810000492
24" GA	18DT-24	810000422	20DT-24	810000446	22DT-24	810000470	24DT-24	810000493
24" SS	18DT-24SS	810000423	20DT-24SS	810000447	22DT-24SS	810000471	24DT-24SS	810000494
36" GA	18DT-36	810000424	20DT-36	810000448	22DT-36	810000472	24DT-36	810000495
36" SS	18DT-36SS	810000425	20DT-36SS	810000449	22DT-36SS	810000473	24DT-36SS	810000496

15° Elbow

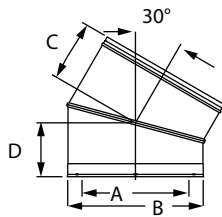


One offset may be used around obstructions such as rafters, ridgepoles or joists. An offset greater than 30 degrees is not permitted.

Stainless Steel inner wall. Available with Galvalume (GA) or Stainless Steel (SS) outer wall. Fasten with screws.

SIZE	10"	12"	14"	16"	SIZE	18"	20"	22"	24"		
A	10"	12"	14"	16"	A	18"	20"	22"	24"		
B	12"	14"	16"	18"	B	20"	22"	24"	26"		
C	6 3/4"	6 3/4"	6 3/4"	7 1/4"	C	9"	9"	9"	9"		
D	7"	7"	7"	6 1/2"	D	9"	9"	9"	9"		
GA	MODEL CODE	10DT-E15	12DT-E15	14DT-E15	16DT-E15	GA	MODEL CODE	18DT-E15	20DT-E15	22DT-E15	24DT-E15
	ORDER #	810000293	810000331	810000363	810000395		ORDER #	810000426	810000450	810000474	810000497
SS	MODEL CODE	10DT-E15SS	12DT-E15SS	14DT-E15SS	16DT-E15SS	SS	MODEL CODE	18DT-E15SS	20DT-E15SS	22DT-E15SS	24DT-E15SS
	ORDER #	810000294	810000332	810000364	810000396		ORDER #	810000427	810000451	810000475	810000498

30° Elbow

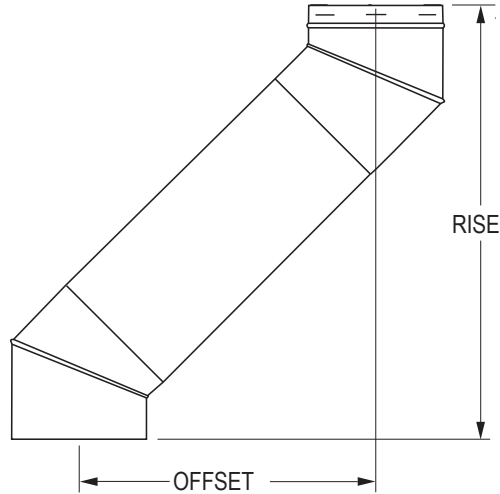


One offset may be used around obstructions such as rafters, ridgepoles or joists. An offset greater than 30 degrees is not permitted.

Stainless Steel inner wall. Available with Galvalume (GA) or Stainless Steel (SS) outer wall. Fasten with screws.

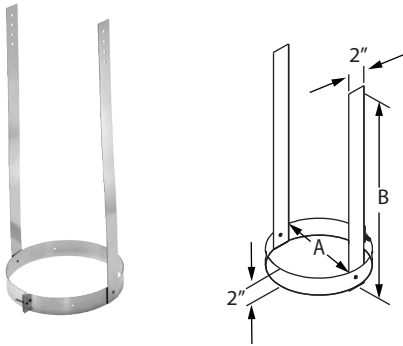
SIZE	10"	12"	14"	16"	SIZE	18"	20"	22"	24"		
A	10"	12"	14"	16"	A	18"	20"	22"	24"		
B	12"	14"	16"	18"	B	20"	22"	24"	26"		
C	5 7/8"	6 1/8"	6 3/8"	6 5/8"	C	9"	9"	9"	9"		
D	6 5/8"	6 7/8"	7 1/8"	7 3/8"	D	9"	9"	9"	9"		
GA	MODEL CODE	10DT-E30	12DT-E30	14DT-E30	16DT-E30	GA	MODEL CODE	18DT-E30	20DT-E30	22DT-E30	24DT-E30
	ORDER #	810000295	810000333	810000365	810000397		ORDER #	810000428	810000452	810000476	810000499
SS	MODEL CODE	10DT-E30SS	12DT-E30SS	14DT-E30SS	16DT-E30SS	SS	MODEL CODE	18DT-E30SS	20DT-E30SS	22DT-E30SS	24DT-E30SS
	ORDER #	810000296	810000334	810000366	810000398		ORDER #	810000429	810000453	810000477	810000500

Large Diameter
Elbow Offset Chart
For 10"- 24" DuraTech LDC



SIZE		10", 12", 14", 16" Diameter		SIZE		18", 20", 22", 24" Diameter	
Elbow Angle from Vertical	Chimney Length Between Elbows	Offset inches	Rise inches	Elbow Angle from Vertical	Chimney Length Between Elbows	Offset inches	Rise inches
15°	0"	2 3/4"	22 1/4"	15°	0"	4 1/2"	34 1/2"
15°	6"	4 1/4"	27 1/4"	15°	12"	7 1/4"	45"
15°	12"	5 3/4"	33 1/4"	15°	18"	8 3/4"	50 3/4"
15°	18"	7 1/4"	39"	15°	24"	10 1/4"	56 1/2"
15°	24"	9"	44 3/4"	15°	36"	13 1/2"	68 1/4"
15°	36"	12"	56 1/4"	15°	24"+24"	16 1/4"	78 3/4"
15°	24"+24"	14 3/4"	66 3/4"	30°	0"	8 1/2"	32 3/4"
30°	0"	6 1/4"	23 3/4"	30°	12"	14"	42 1/4"
30°	6"	8 3/4"	27 3/4"	30°	18"	17"	47 1/2"
30°	12"	11 3/4"	33"	30°	24"	20"	52 3/4"
30°	18"	14 3/4"	38 1/4"	30°	36"	26"	63"
30°	24"	17 3/4"	43 1/4"	30°	24"+24"	31 1/2"	72 1/2"
30°	36"	23 3/4"	53 3/4"				
30°	24"+24"	29"	63"				

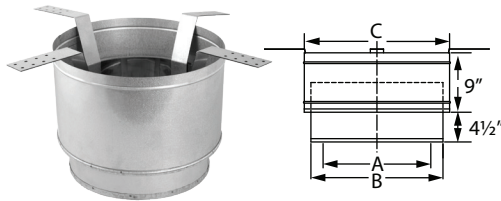
Elbow Strap



Use to prevent excessive weight on the elbows by supporting the weight of the chimney. Required to be installed between two elbows in offset installations. Multiple elbow straps may be required for offset installations. Refer to installation instructions.

SIZE	10"	12"	14"	16"
A	12"	14"	16"	18"
B	30"	30"	30"	30"
MODEL CODE	10DT-ES	12DT-ES	14DT-ES	16DT-ES
ORDER #	810000297	810000335	810000367	810000399
SIZE	18"	20"	22"	24"
A	20"	22"	24"	26"
B	36"	36"	36"	36"
MODEL CODE	18DT-ES	20DT-ES	22DT-ES	24DT-ES
ORDER #	810000430	810000454	810000478	810000501

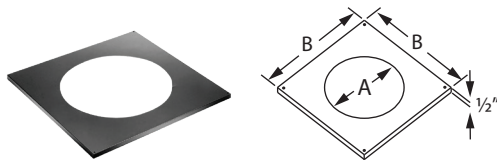
Round Ceiling Support Box



Supports chimney pipe and provides a positive connection between support box and chimney. Supports up to 40' of DuraTech LDC Chimney. Trim collars are sold separately. (For 10" use DuraBlack Slip Connector to attach DuraBlack to the support box. See DuraBlack catalog).

SIZE	10"	12"	14"	16"
A	10 5/16"	12 5/16"	14 5/16"	16 5/16"
B	14"	16"	18"	20"
C	16"	18"	20"	22"
MODEL CODE	10DT-RCS	12DT-RCS	14DT-RCS	16DT-RCS
ORDER #	810000298	810000336	810000368	810000400

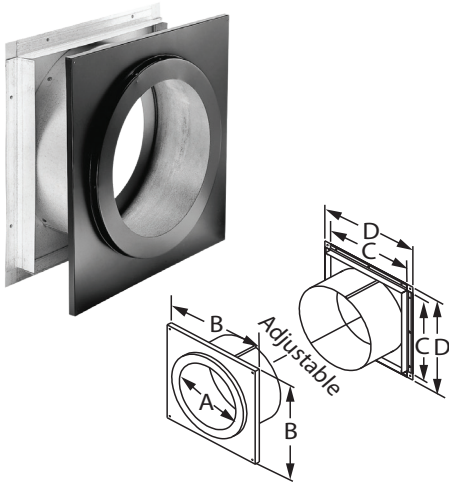
Trim Collar for Round Support Box



Conceals gap between round ceiling support and ceiling cut-out when used with Round Ceiling Support Box. Galvalume. Painted black.

SIZE	10"	12"	14"	16"
A	14 1/4"	16 1/4"	18 1/4"	20 1/4"
B	20"	22"	24"	26"
MODEL CODE	10DT-TCR	12DT-TCR	14DT-TCR	16DT-TCR
ORDER #	810000299	810000337	810000369	810000401

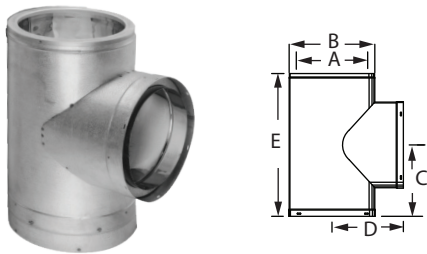
Wall Thimble



Use to provide clearance to combustibles. Adjusts from a minimum of 4" to a maximum of 10" wall thickness, and fits between standard wall studs. To accommodate thicker walls, the telescoping pieces can be extended up to 16" with a field-fabricated extension installed. Interior trim plate painted black. Must be installed with DuraTech chimney pipe horizontally through the wall.

SIZE	10"	12"	14"	16"
A	12 1/8"	14 1/8"	16 1/8"	18 1/8"
B	20"	22"	24"	26"
C	15 7/8"	17 7/8"	19 7/8"	21 1/8"
D	18"	20"	22"	24"
MODEL CODE	10DT-WT	12DT-WT	14DT-WT	16DT-WT
ORDER #	810000300	810000338	810000370	810000402

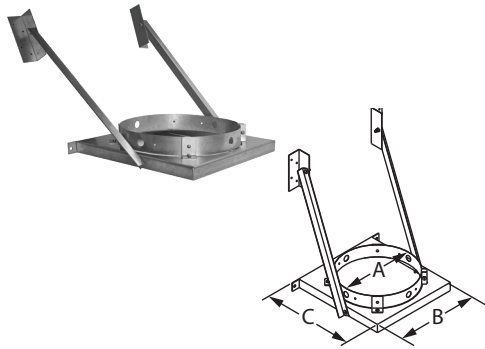
Tee w/ Cap



Use for through-the-wall installations. Includes removable Tee Cap for easy chimney cleaning or inspection. Wall Straps, a Wall Thimble, and a Tee Support Bracket must be installed with the Tee as directed. Available in stainless steel or with a galvalume outer wall and stainless steel inner wall. See installation instructions for proper location and installation of Tee.

SIZE	10"	12"	14"	16"	
A	10"	12"	14"	16"	
B	12"	14"	16"	18"	
C	10"	11"	12"	13"	
D	10"	11"	12"	13"	
E	20"	22"	24"	26"	
GA	MODEL CODE	10DT-T	12DT-T	14DT-T	16DT-T
	ORDER #	810000301	810000339	810000371	810000403
SS	MODEL CODE	10DT-TSS	12DT-TSS	14DT-TSS	16DT-TSS
	ORDER #	810000302	810000340	810000372	810000404
SIZE	18"	20"	22"	24"	
A	18"	20"	22"	24"	
B	20"	22"	24"	26"	
C	14"	15"	16"	17"	
D	14"	15"	16"	17"	
E	28"	30"	32"	34"	
GA	MODEL CODE	18DT-T	20DT-T	22DT-T	24DT-T
	ORDER #	810000439	810000463	810000486	810000509
SS	MODEL CODE	18DT-TSS	20DT-TSS	22DT-TSS	24DT-TSS
	ORDER #	810000440	810000464	810000487	810000510

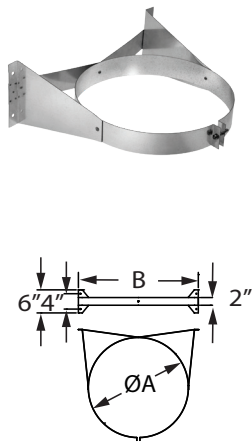
Tee Support Bracket



Use as wall support for chimney system. Supports up to 30' of DuraTech Chimney. Attaches to chimney pipe. Can be installed above or below the Tee. If installed below the Tee, a short section of pipe is required.

SIZE	10"	12"	14"	16"
A	12"	14"	16"	18"
B	14"	16"	18"	20"
C	15 1/8"	17 1/8"	19 1/8"	21 1/8"
MODEL CODE	10DT-TSB	12DT-TSB	14DT-TSB	16DT-TSB
ORDER #	810000303	810000341	810000373	810000405

Wall Strap



Use in interior or exterior installations to add lateral support to the chimney. Assures a 2" clearance to combustible walls. Required every 4'.

SIZE	10"	12"	14"	16"
A	12"	14"	16"	18"
B	16"	18"	20"	22"
MODEL CODE	10DT-WS	12DT-WS	14DT-WS	16DT-WS
ORDER #	810000316	810000353	810000385	810000417

SIZE	18"	20"	22"	24"
A	20"	22"	24"	26"
B	23"	25"	27"	29"
MODEL CODE	18DT-WS	20DT-WS	22DT-WS	24DT-WS
ORDER #	810000441	810000465	810000488	810000511

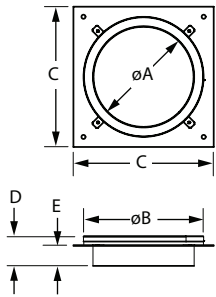
Finishing Collar



Fits on the female end of the chimney pipe to provide a flue extension for transition from appliance connector pipe. Note: 10" collar has a decorative black finish.

SIZE	10"	12"	14"	16"	18"	20"	22"	24"
A	10"	12"	14"	16"	18"	20"	22"	24"
B	12"	14"	16"	18"	20"	22"	24"	26"
MODEL CODE	10DT-FC	12DT-FC	14DT-FC	16DT-FC	18DT-FC	20DT-FC	22DT-FC	24DT-FC
ORDER #	810000304	810009951	810009952	810009953	810009954	810009955	810009956	810009957

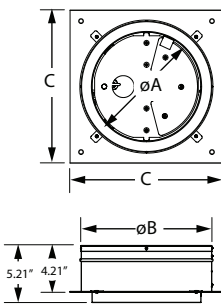
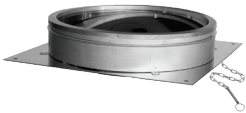
Anchor Plate



Use as a starter section for DuraTech. Bolts directly to masonry fireplace outlet.

SIZE	10"	12"	14"	16"
A	10"	12"	14"	16"
B	12 1/16"	14 1/16"	16 1/16"	18 1/16"
C	14"	16"	18"	20"
D	1"	1"	1"	1"
E	2"	2"	2"	2"
MODEL CODE	10DT-AP	12DT-AP	14DT-AP	16DT-AP
ORDER #	810000305	810000342	810000374	810000406
SIZE	18"	20"	22"	24"
A	18"	20"	22"	24"
B	20 1/16"	22 1/16"	24 1/16"	26 1/16"
C	22"	24"	26"	28"
D	1 1/4"	1 1/4"	1 1/4"	1 1/4"
E	2"	2"	2"	2"
MODEL CODE	18DT-AP	20DT-AP	22DT-AP	24DT-AP
ORDER #	810000431	810000455	810000479	810000502

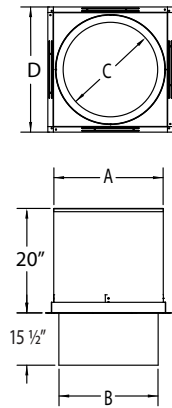
Anchor Plate w/ Damper



Use as a starter section for DuraTech. Bolts directly to masonry fireplace outlet. Damper section allows chimney to be closed when masonry fireplace is not in use. Includes 3' chain and lintel hook.

SIZE	10"	12"	14"	16"
A	10"	12"	14"	16"
B	12"	14"	16"	18"
C	14"	16"	18"	20"
MODEL CODE	10DT-APD	12DT-APD	14DT-APD	16DT-APD
ORDER #	810000306	810000343	810000375	810000407
SIZE	18"	20"	22"	24"
A	18"	20"	22"	24"
B	20"	22"	24"	26"
C	22"	24"	26"	28"
MODEL CODE	18DT-APD	20DT-APD	22DT-APD	24DT-APD
ORDER #	810000432	810000456	810000480	810000503

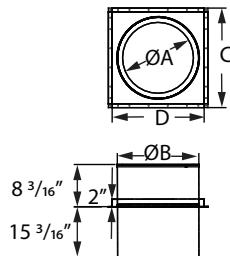
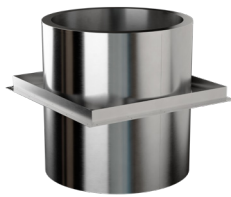
10"-16" Firestop Radiation Shield HT



Use in ceiling/floor penetrations other than those that include the ceiling support. Fits on underside of ceiling and adjusts to cover framing. If used in a UL 103 Type HT (10"-16") application, install the Firestop Radiation Shield HT (FRSHT) at ceiling level.

SIZE	10"	12"	14"	16"
A	15"	17"	19"	18"
B	13"	15"	17"	20"
C	12"	14"	16"	22"
D	18"	20"	22"	24"
MODEL CODE	10DT-FRSHT	12DT-FRSHT	14DT-FRSHT	16DT-FRSHT
ORDER #	810018671	810018672	810018673	810018654

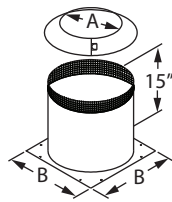
18"-24" Firestop Radiation Shield



Use in ceiling/floor penetrations other than those that include the ceiling support. Fits on underside of ceiling and adjusts to cover framing.

SIZE	18"	20"	22"	24"
A	20 1/8"	22 1/8"	24 1/8"	26 1/8"
B	23"	25"	27"	29"
C	26"	28"	30"	32"
D	24"	26"	28"	30"
MODEL CODE	18DT-FRS	20DT-FRS	22DT-FRS	24DT-FRS
ORDER #	810000433	810000457	810000481	810000504

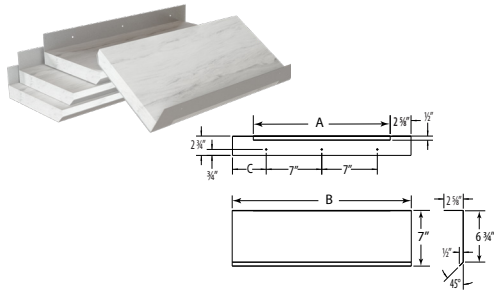
Attic Insulation Shield



Use in installations that pass through an attic to prevent insulation and debris from accumulating near the chimney, unless the chimney is enclosed through attic. Fits over Firestop Radiation Shield or a support box. Consists of two parts – a collar and a base. Mesh sleeve around top.

SIZE	10"	12"	14"	16"
A	12"	14"	16"	18"
B	18"	20"	22"	24"
MODEL CODE	10DT-IS	12DT-IS	14DT-IS	16DT-IS
ORDER #	810000308	810000345	810000377	810000409
SIZE	18"	20"	22"	24"
A	20"	22"	24"	26"
B	26"	28"	30"	32"
MODEL CODE	18DT-IS	20DT-IS	22DT-IS	24DT-IS
ORDER #	810000434	810000458	810000482	810000505

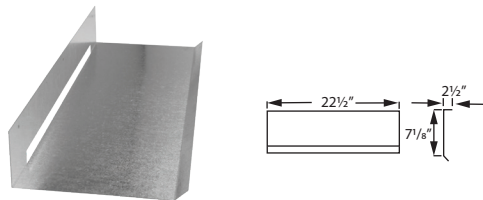
10"-16" Roof Radiation Shield HT



Required at top of chase enclosure or where chimney passes through the roof. Four plates (included) make up one shield. Note that the RRSHT is for UL 103 Type HT applications. insulation pads are included, attached to each of the plates.

SIZE	10"	12"	14"	16"
A	11 1/4"	11 1/4"	14 1/4"	14 1/4"
B	15"	15"	19 1/4"	19 1/4"
C	3 1/4"	3 1/4"	1 1/2"	1 1/2"
MODEL CODE	10DT-RRSHT	12DT-RRSHT	14DT-RRSHT	16DT-RRSHT
ORDER #	810018667	810018668	810018669	810018655

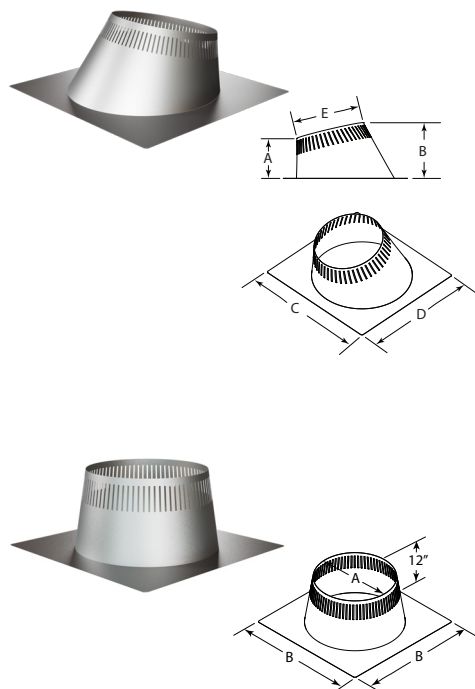
18"-24" Roof Radiation Shield



Required at top of chase enclosure or where chimney passes through the roof. Four plates (included) make up one shield.

SIZE	STOCK #
MODEL CODE	18DT-RRS
ORDER #	810000435

Ventilated Flashing

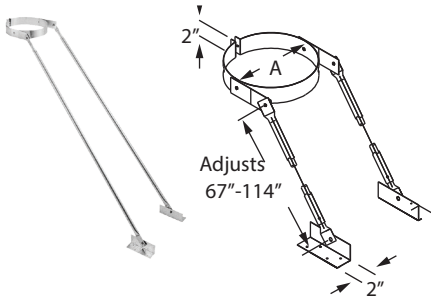


Use to weather proof the penetration of chimney pipe through the roof. Storm Collar required. Select roof flashing based on pitch of roof. For example, a 6/12 pitch has a vertical rise of 6" over a horizontal distance of 12". Made of galvalume. NOTE: Required for UL 103 Type HT applications.

0/12 - 6/12	10"	12"	14"	16"
A	10"	10 3/8"	11"	10"
B	10 1/4"	14"	16 1/2"	17"
C	29 1/2"	32"	34"	36 1/2"
D	31 1/2"	34"	36"	38 1/2"
E	13 1/4"	15 1/4"	17 1/4"	19 1/4"
MODEL CODE	10DT-F6HT	12DT-F6HT	14DT-F6HT	16DT-F12HT
ORDER #	810018719	810018720	810018721	810018722

FLAT ROOF	10"	12"	14"	16"
A	12 1/4"	14 1/4"	17"	18 1/4"
B	24"	26"	28"	30"
MODEL CODE	10DT-FFHT	12DT-FFHT	14DT-FFHT	16DT-FFHT
ORDER #	810018663	810018664	810018665	810018666

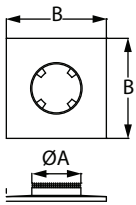
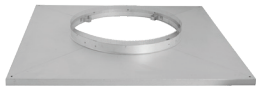
Extended Roof Bracket



When the chimney extends more than 4 feet above the roofline, an Extended Roof Bracket must be installed. Use one XRB for every 4-feet of chimney height above the roofline. The legs will extend to handle varying roof slopes. Adjustable from 67" to 114".

SIZE	10"	12"	14"	16"
A	12"	14"	16"	18"
MODEL CODE	10DT-XRB	12DT-XRB	14DT-XRB	16DT-XRB
ORDER #	810000310	810000347	810000379	810000411

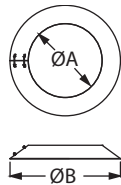
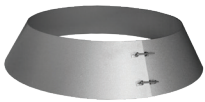
Chase Top Flashing



Encloses the top of a chase while providing a ventilation air passage from the chase. UL Listed. Includes spacer clips. Storm Collar not included. Made of galvalume.

SIZE	10"	12"	14"	16"
A	15"	17"	19"	21"
B	34"	36"	38"	40"
MODEL CODE	10DT-CTF	12DT-CTF	14DT-CTF	16DT-CTF
ORDER #	810000309	810000346	810000378	810000410
SIZE	18"	20"	22"	24"
A	23"	25"	27"	26"
B	40"	40"	40"	40"
MODEL CODE	18DT-CTF	20DT-CTF	22DT-CTF	24DT-CTF
ORDER #	810000436	810000459	810000483	810000506

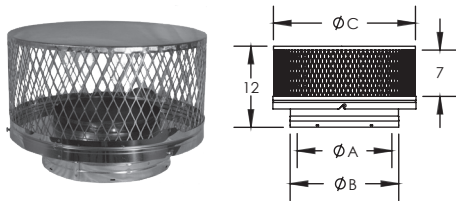
Storm Collar



Required with DuraTech flashing to create a weather-proof penetration through the roof deck. Seal inner edge of the collar to the chimney pipe with non-hardening 500°F high-temperature sealant.

SIZE	10"	12"	14"	16"
A	12"	14"	16"	18"
B	23"	25"	27"	29"
MODEL CODE	10DT-SC	12DT-SC	14DT-SC	16DT-SC
ORDER #	810000311	810000348	810000380	810000412
SIZE	18"	20"	22"	24"
A	20"	22"	24"	26"
B	31"	33"	35"	37"
MODEL CODE	18DT-SC	20DT-SC	22DT-SC	24DT-SC
ORDER #	810000437	810000461	810000484	810000507

Chimney Cap

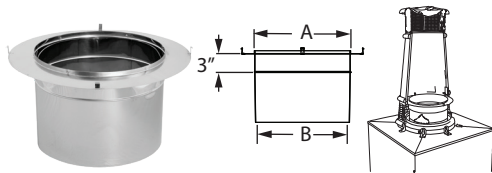


Stainless Chimney Cap minimizes entry of precipitation. 10" to 16" VC1 includes integrated spark arrester. Top lid and spark arrester are easily removed for cleaning without removing cap.

SIZE	10"	12"	14"	16"
A	10"	12"	14"	16"
B	12"	14"	16"	18"
C	18"	21"	21"	23"
MODEL CODE	10DT-VC1	12DT-VC1	14DT-VC1	16DT-VC1
ORDER #	810014053	810014054	810014055	810014056

SIZE	18"	20"	22"	24"
A	20 1/8"	22 1/8"	24 1/8"	26 1/8"
B	20"	20"	20"	20"
C	30"	32"	34"	36"
MODEL CODE	18DT-VC	20DT-VC	22DT-VC	24DT-VC
ORDER #	810000438	810000462	810000485	810000508

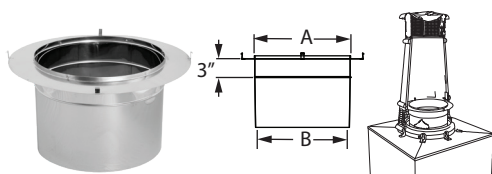
European Copper Adapter - King Model



Use for installing the European Copper Chimney Pots King model shroud/pot onto DuraTech chimney.

SIZE	10"	12"	14"
A	10"	12"	14"
B	9 1/2"	11 1/2"	13 1/2"
MODEL CODE	10DCA-ECK	12DCA-ECK	14DCA-ECK
ORDER #	810000801	810000822	810000843

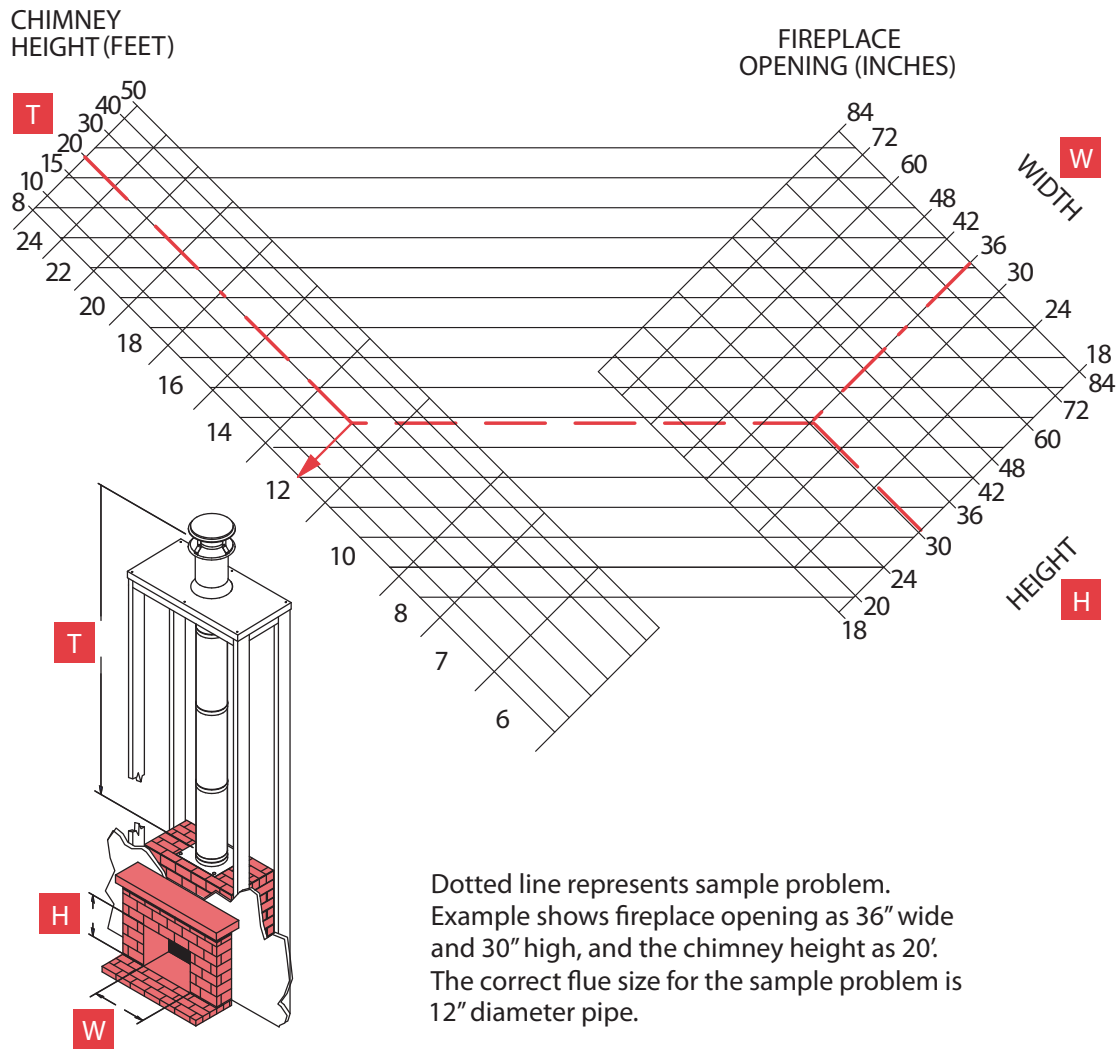
European Copper Adapter - Bishop Model



Use for installing the European Copper Chimney Pots Bishop model shroud/pot onto DuraTech chimney. King model shown.

SIZE	10"	12"	14"	16"
A	10"	12"	14"	16"
B	9 1/2"	11 1/2"	13 1/2"	15 1/2"
MODEL CODE	10DCA-ECB	12DCA-ECB	14DCA-ECB	16DCA-ECB
ORDER #	810000802	810000823	810000844	810000864

Chimney Sizing Chart For Masonry Fireplace Installations





BUILD FOR THE FUTURE

Customer Service and Support:

Airmate (USA).....	800.992.8368
Airmate (CAN)	888.735.5475
Ameriflow	800.252.8467
Amerivent (Retail).....	800.252.8467
Amerivent (Hearth & Wholesale)	800.423.4270
Amerivent (Support).....	800.748.0392
AMPCO (USA)	800.669.3269
AMPCO (CAN).....	888.735.5475
Builder's Best.....	903.586.8283
Duravent	800.835.4429
Hart & Cooley.....	800.433.6341
Hart & Cooley (Support)	800.748.0392
Heatfab (USA).....	800.772.0739
Heatfab (CAN)	800.848.2149
Lima.....	800.423.4270
Milcor	800.774.5240
Portals Plus.....	800.774.5240
RPS.....	800.624.8642
Security Chimney (USA).....	800.361.4909
Security Chimney (CAN)	800.667.3387
Selkirk (USA) Residential	800.992.8368
Selkirk (USA) Commercial.....	800.848.2149
Selkirk (USA) Support.....	800.748.0392
Selkirk (CAN)	888.735.5475

Manufacturing & Distribution Centers:

CANADA	
Nobel, ON	Manufacturing
Laval, QC	Manufacturing
Prescott, ON	Distribution
USA	
Grand Rapids, MI	Center of Excellence
Dallas, TX	Distribution
Englewood, OH	Distribution
Huntsville, AL	Manufacturing & Distribution
Las Vegas, NV	Distribution
Turner Falls, MA	Manufacturing & Distribution
Vacaville, CA	Manufacturing
MEXICO	
Ojinaga, MX	Manufacturing
Mexicali, MX	Manufacturing

Corporate Headquarters:

Duravent Group
28 W. Adams, Suite 1810
Detroit, MI 48226
Tel: 800.835.4429
info@duraventgroup.com
www.duraventgroup.com

 AMERIVENT®

duravent™

HART *COOLEY*®

 security®
Chimneys

 **SELKIRK**®

duravent™
GROUP

BUILD FOR THE FUTURE

www.duraventgroup.com



For warranty information:
Scan this QR code or visit
www.duraventgroup.com/warranties

© 2025 Duravent Group. All rights reserved.
DV_DT-LDC_CT-001E_03-25