

## Roof Support & Anchor Plate

Read Sheet GS for important clearance and safety precautions before installing any of the parts described in this sheet. Sheet GS is packaged with supports.

### ROOF SUPPORT

The roof support is an ideal assembly for freestanding fireplaces and open cathedral ceiling installations. It fits all roof pitches and requires only simple framing. The package contains one 18" length of pipe with thimble plates, two roof brackets, and necessary hardware. Maximum length of chimney that can be suspended below is 20 feet. Maximum total chimney length is 30 feet.

Follow these simple steps for a roof-supported chimney installation.

1. Cut an opening in the roof and frame all around the opening to distribute weight load (Figure 1). Be sure to allow for a 2" minimum clearance (Figure 2).
2. Center assembly in the opening. Adjust plates to the roof pitch and tighten nuts (Figure 2).
3. Install six screws per roof plate with the innermost screws going into rafters or headers (Figure 1).
4. Twist-lock additional lengths of chimney to top of assembly pipe until required chimney passes through roof a minimum of 3 feet and is at least 2 feet higher than any portion of building within 10 feet.
5. Drop a flashing, suitable for the roof pitch, over the top chimney section, and nail to roof through side and top flanges. Use nails with a neoprene washer or cover nails with mastic. (See Installation Sheet S-3.)
6. Finish roofing around chimney, covering the side and upper areas of flashing flange. Be sure lower unnailed portion of flange covers roofing.
7. Place storm collar down over chimney until it touches flashing and fasten. Work in a waterproof mastic between pipe and collar.
8. Twist-lock additional pipe lengths to bottom of pipe assembly, not to exceed 20 feet. Entire chimney should be secured at every joint with a locking band.
9. The opening into a pitched ceiling or roof may be trimmed using a pitched ceiling plate.

**IMPORTANT: 10" is non-HT.**

**WARNING**

Failure to follow these Installation Instructions could cause FIRE, CARBON MONOXIDE POISONING, OR DEATH. If you are unsure of installation requirements, call the phone number listed on the back of these instructions.

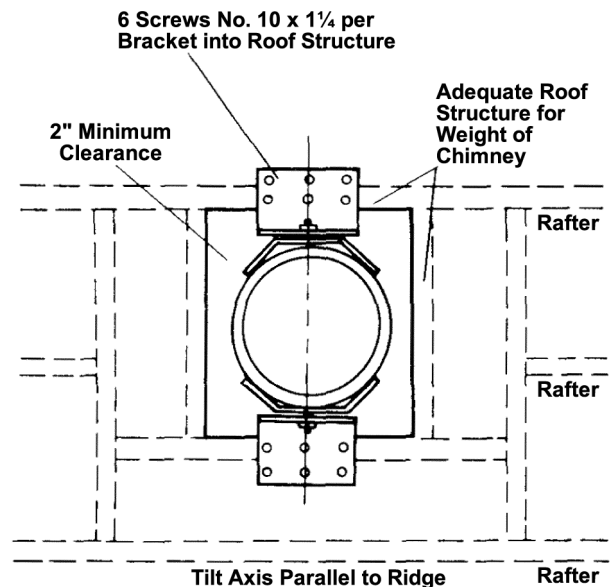


Figure 1 Roof Support Framing

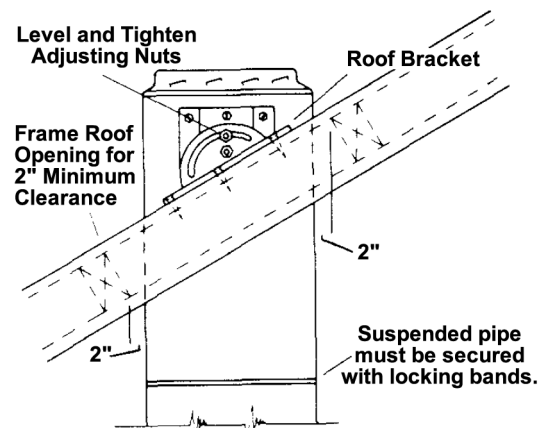
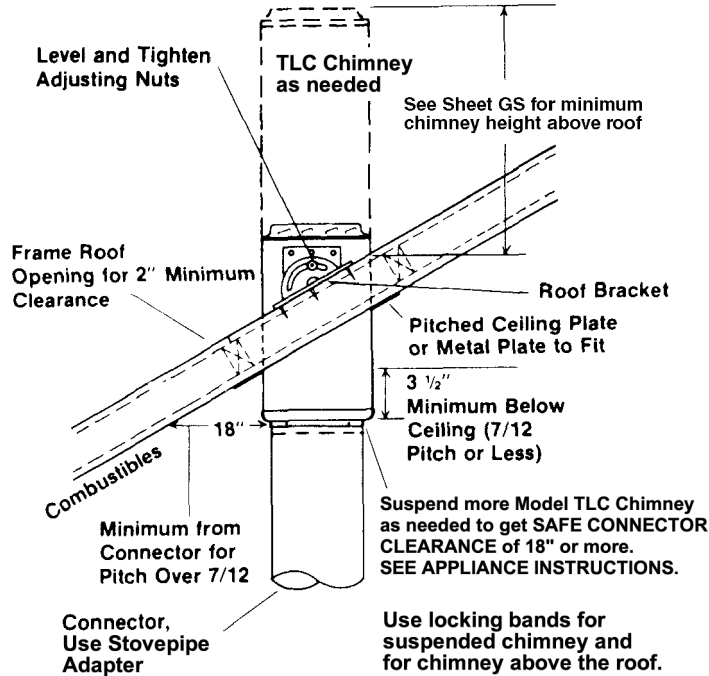


Figure 2 Roof Support Position on Sloped Roof

**FOR ROOF SUPPORTED CHIMNEYS**

With A-frames, beamed ceilings, etc., observe precautions below for single-wall connector clearances. Single-wall pipe must not pass through framing, wood walls, or into ceiling or roof (Figure 4).



**Figure 3 Required Clearances for Roof Support**

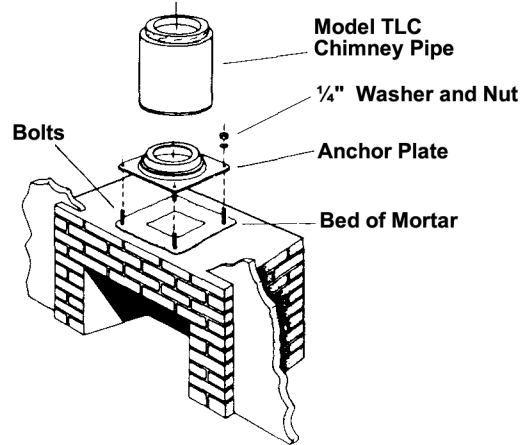
**ANCHOR PLATE**

The anchor plate provides a connection from a masonry fireplace to a Model TLC Chimney. The following steps describe installation of this part.

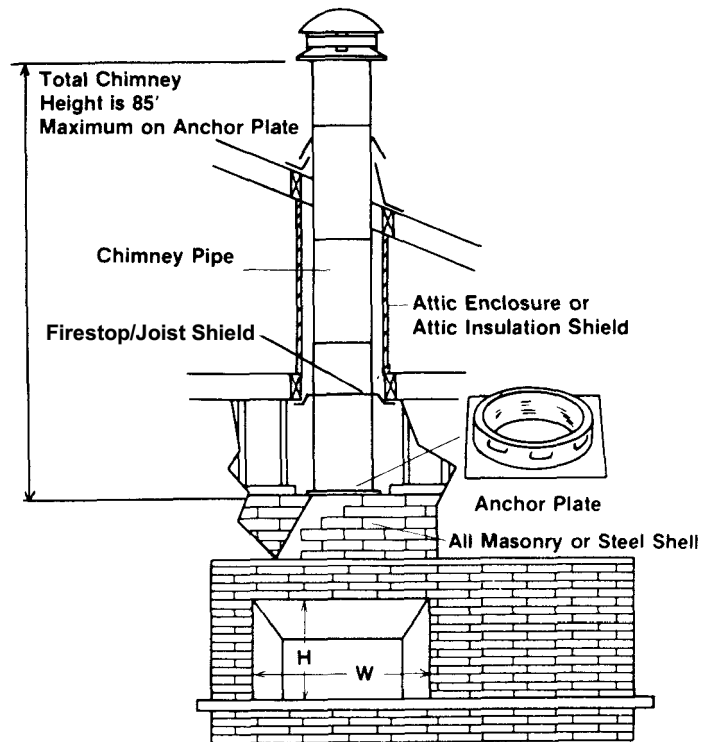
1. Using the anchor plate as a template, centered over the outlet opening, drill and anchor four 1/4" diameter bolts 2" long securely into the top of the masonry fireplace. See Figure 4.
2. Apply a bed of mortar approximately 3/4" in depth and 3" in width completely around the fireplace opening. Make sure the threaded ends of the bolts protrude a minimum of 1" above the bed of mortar.
3. While the mortar is still damp, place and level the anchor plate over the extended studs. Secure, using a washer and nut for each bolt.
4. Check the plate for level and allow mortar to set.
5. Place a section of chimney onto the anchor plate and secure to anchor plate with a 1/8 clockwise turn. Up to

85 feet of chimney may be stacked on the anchor plate.

**NOTE:** See Sheet P for Chimney Sizing Chart for Fireplaces.



**Figure 4 Anchor Plate Installation in Masonry Fireplace**



**Figure 5 Anchor Plate Support for Mason Fireplace**



4460 44th Street S.E., Suite F  
Grand Rapids, MI 49512  
info@hartcool.com  
www.hartandcooley.com

616.565.8200 p  
616.656.6399 f