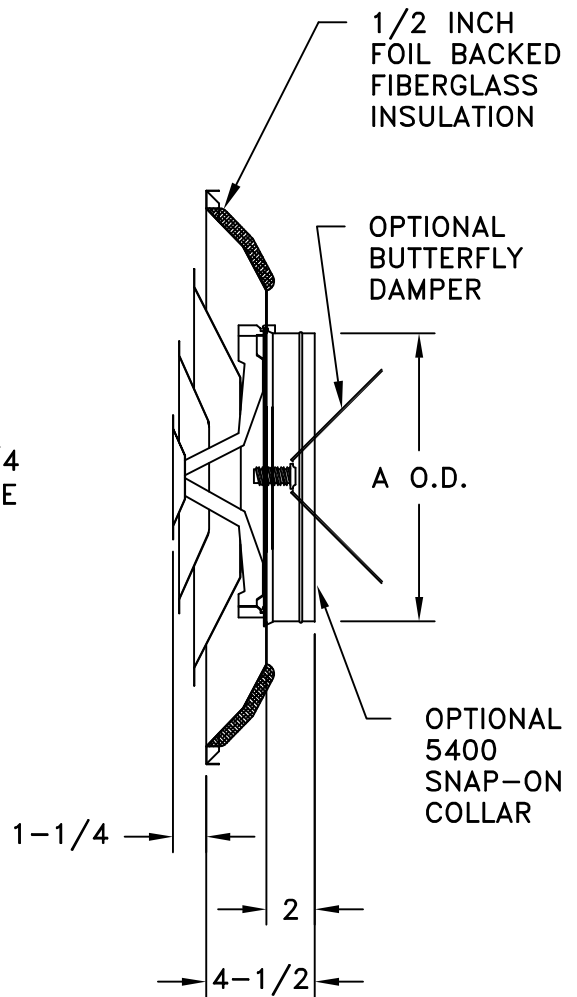
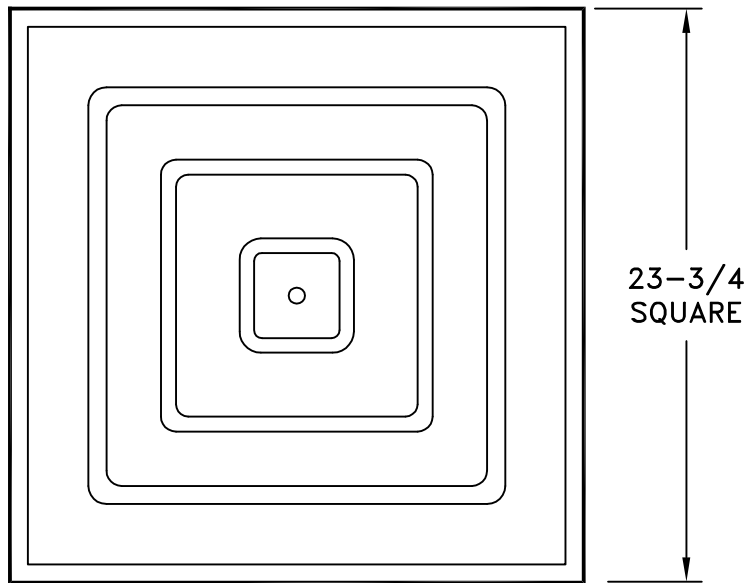


- ALL STEEL CONSTRUCTION
- FITS STANDARD 2' X 2' T-BAR CEILING SYSTEMS
- OPTIONAL 6-14 INCH NO. 5400 SERIES COLLARS  
(14 INCH COLLAR IS MOUNTED TO THE DIFFUSER AT THE FACTORY)
- OPTIONAL NO. 3800 STEEL BUTTERFLY DAMPER
- 360° PATTERN FOR HIGH AIR VOLUME DELIVERY
- FINISH: WHITE (W) ENAMEL



SIZE	A O.D.
6	5-7/8
8	7-7/8
10	9-7/8
12	11-7/8
14	13-7/8

JOB NAME: \_\_\_\_\_  
 LOCATION: \_\_\_\_\_  
 ARCHITECT: \_\_\_\_\_  
 ENGINEER: \_\_\_\_\_  
 CONTRACTOR: \_\_\_\_\_

SUBMITTED BY: \_\_\_\_\_

DATE: 07/17/2013 SD-9440

**HVS**  
 Steel  
 High Volume Ceiling Diffuser