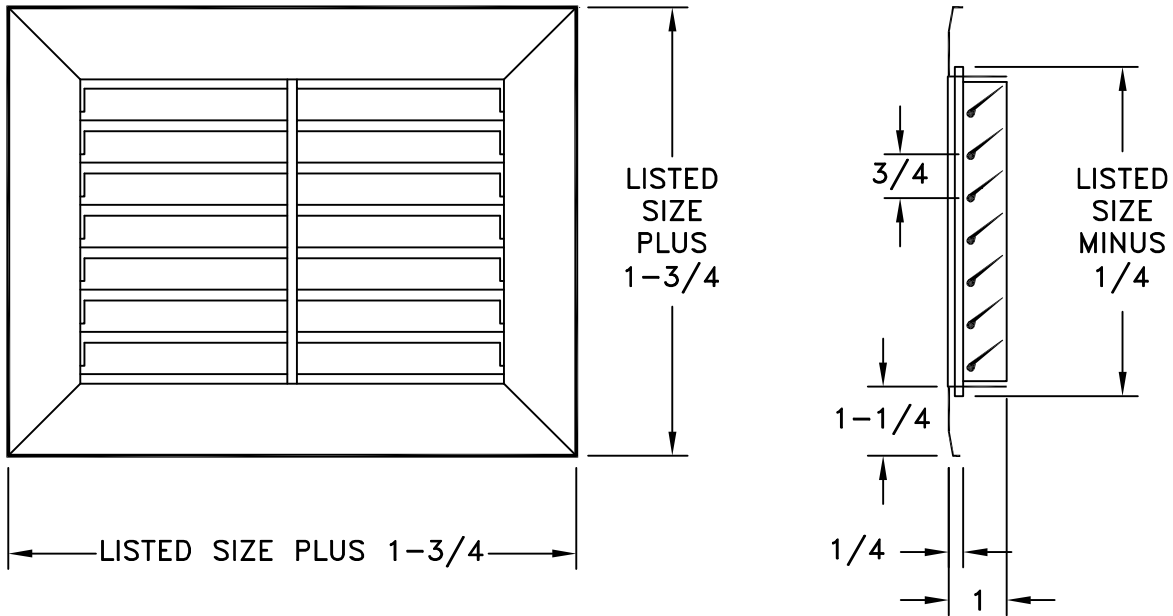


- EXTRUDED ALUMINUM CONSTRUCTION
- DEFLECTED BLADES – 3/4 INCH SPACING
- FITS STANDARD T-BAR CEILINGS
- FINISH: PAINTED WHITE (W) OR PAINTED ALUMINUM (AL)



All Dimensions are  $\pm 1/16$ "

LISTED SIZE	T-BAR	OVERALL
10 X 10	12 X 12	11-3/4 X 11-3/4
22 X 10	24 X 12	23-3/4 X 11-3/4
34 X 10	36 X 12	35-3/4 X 11-3/4
46 X 10	48 X 12	47-3/4 X 11-3/4
22 X 22	24 X 24	23-3/4 X 23-3/4
34 X 22	36 X 24	36-3/4 X 23-3/4
46 X 22	48 X 24	47-3/4 X 23-3/4
34 X 34	36 X 36	35-3/4 X 35-3/4
46 X 46	48 X 48	47-3/4 X 47-3/4

JOB NAME: _____	SUBMITTED BY: _____	DATE: 09/27/2018	SD-9496
LOCATION: _____		RH45T Extruded Aluminum Return Air Grille T-Bar Lay-In	
ARCHITECT: _____			
ENGINEER: _____			
CONTRACTOR: _____			