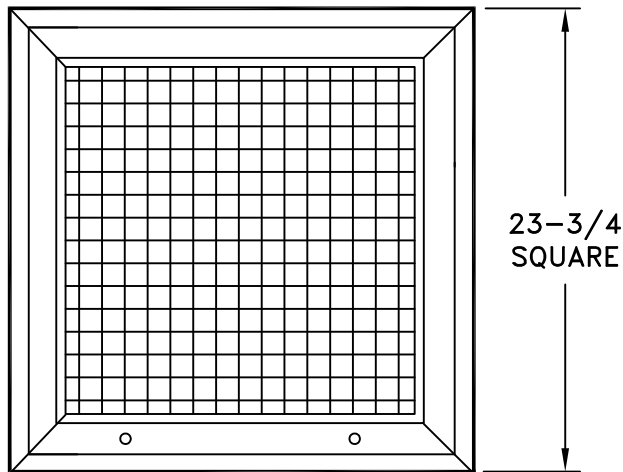
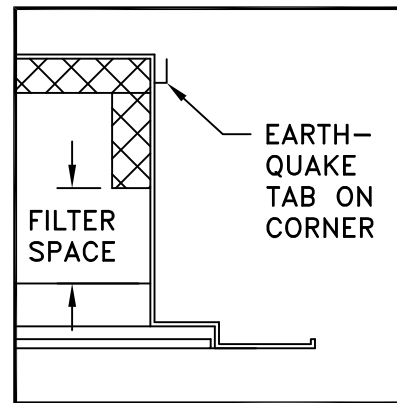
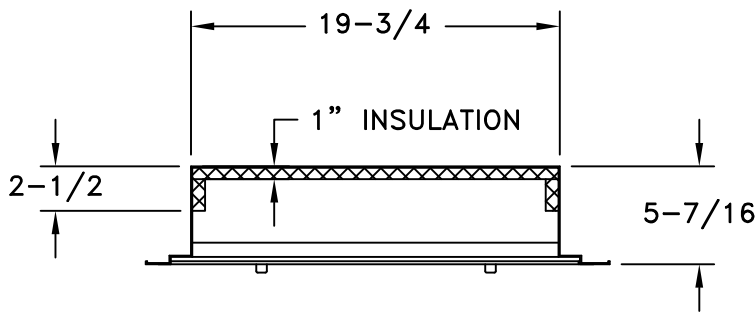


- STEEL CONSTRUCTION WITH ALUMINUM CORE
- CAM LOCK FASTENER(S) & CONCEALED HINGE
- 1/2" x 1/2" x 1/2" EGGCRATE FACE FOR MAXIMUM FREE AREA
- USES NOMINAL 1 INCH DISPOSABLE FILTERS
- FILTER SIZE 20" x 20" x 1" (NOT INCLUDED)
- SIZE: 24 X 24 LAY-IN T-BAR
- STANDARD FINISH IS WHITE
- FIBERGLASS PLENUM TESTED IN COMPLIANCE WITH SURFACE BURNING CHARACTERISTICS (UL 723, ASTM E-84 AND EROSION TEST (UL181)
- R4.2 or R6 INSULATION
- EARTHQUAKE TABS INCLUDED



JOB NAME: _____	SUBMITTED BY: _____	DATE: 01/28/2020	SD-9483
LOCATION: _____	REF5-TI Aluminum Grid Core T-Bar Filter Grille With Fiberglass Plenum		
ARCHITECT: _____			
ENGINEER: _____			
CONTRACTOR: _____			