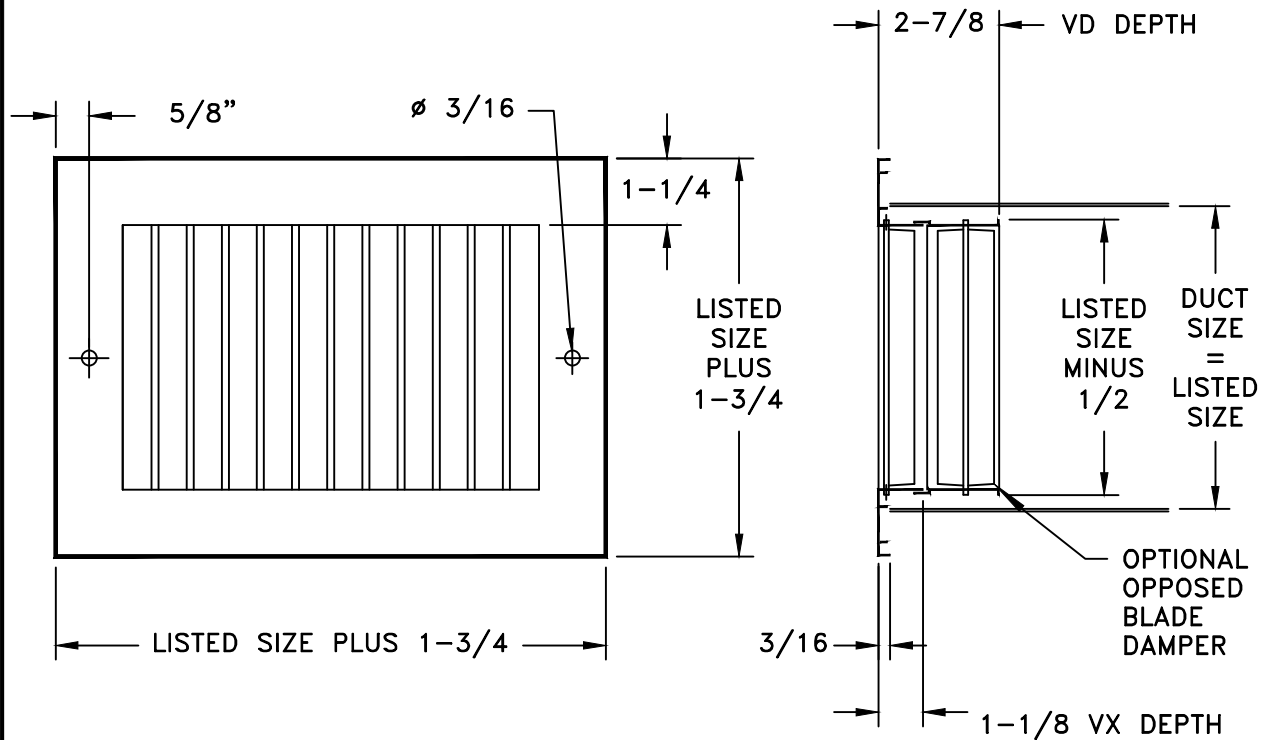




# SUBMITTAL DRAWING

- EXTRUDED ALUMINUM CONSTRUCTION
- STYLES WITH FRONT BANK VERTICAL:  
 VX SINGLE DEFLECTION GRILLE  
 VD SINGLE DEFLECTION WITH DAMPER
- BARS ARE ON 3/4 INCH CENTERS AND INDIVIDUALLY ADJUSTABLE
- CHANNEL BRACE IS ADDED WHEN EITHER DIMENSION IS 48 INCHES OR OVER
- SCREW HOLE LOCATIONS STANDARD UNLESS OTHER WISE SPECIFIED
- MINIMUM SIZE: 6 X 4
- MAXIMUM SIZE: 72 X 48 OR 48 X 96 ONE PIECE CONSTRUCTION
- AVAILABLE IN 1 INCH INCREMENTS
- FINISH: WHITE (W) ENAMEL OR SATIN ANODIZED (SA)



JOB NAME: \_\_\_\_\_  
 LOCATION: \_\_\_\_\_  
 ARCHITECT: \_\_\_\_\_  
 ENGINEER: \_\_\_\_\_  
 CONTRACTOR: \_\_\_\_\_

SUBMITTED BY: HILKER/PASTUNINK

DATE: 03/08/2021 SD-9114

**V SERIES**  
 Extruded Aluminum Grilles And Registers Adjustable Vertical Face Bars