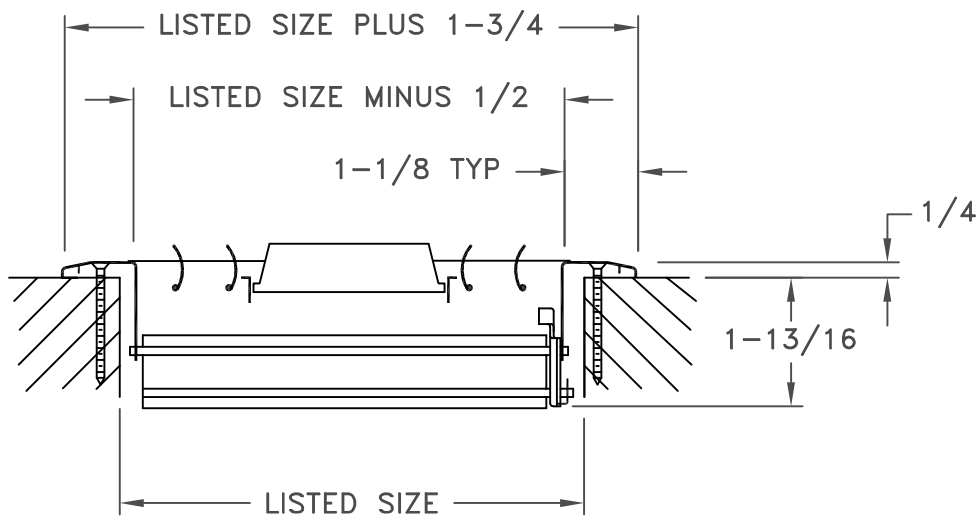
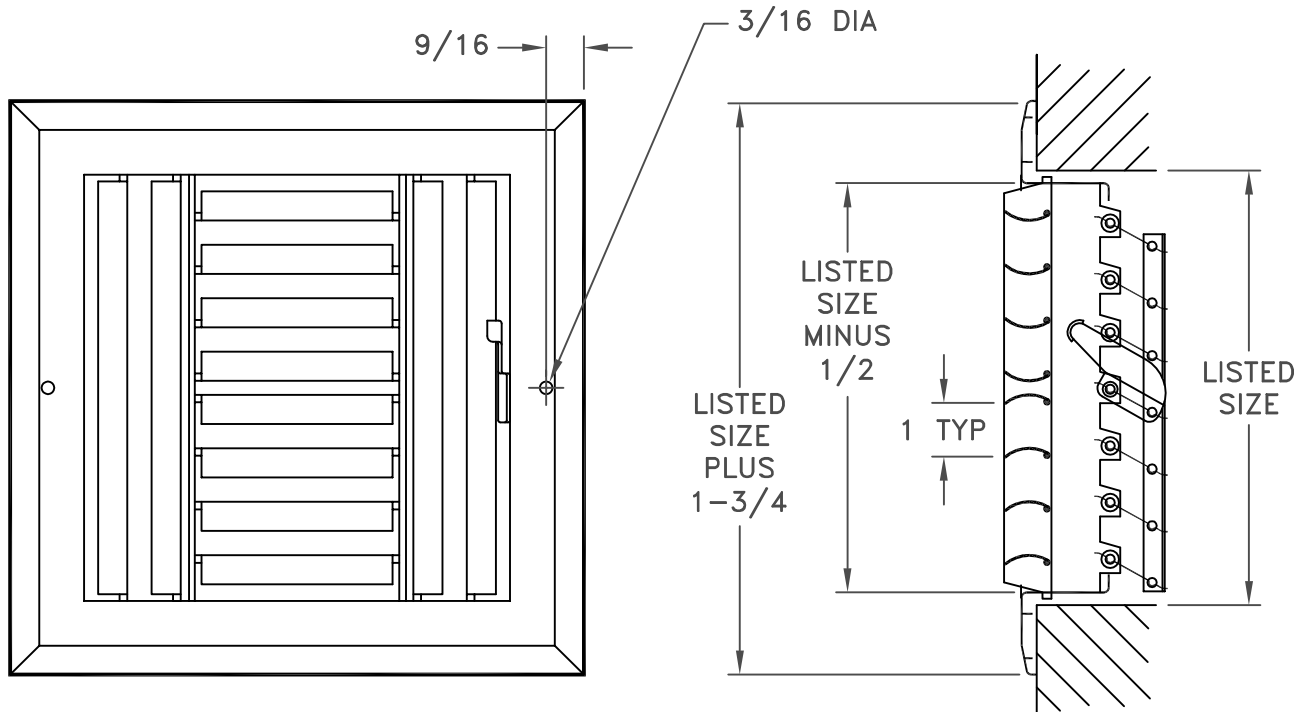


- ALUMINUM FACE, ALUMINIZED AND GALVANIZED STEEL DAMPER
- ADJUSTABLE CURVED BLADES
- MULTI-SHUTTER DAMPER
- MINIMUM SIZE = 6 X 6
- MAXIMUM SIZE = 14 X 14
- FINISH: WHITE (W) ENAMEL OR SATIN ANODIZED (SA)



JOB NAME: _____
 LOCATION: _____
 ARCHITECT: _____
 ENGINEER: _____
 CONTRACTOR: _____

SUBMITTED BY: _____

DATE: 08/15/2013 SD-2504
A614MS
 Aluminum
 Curved Blade Register
 4-Way Air Pattern