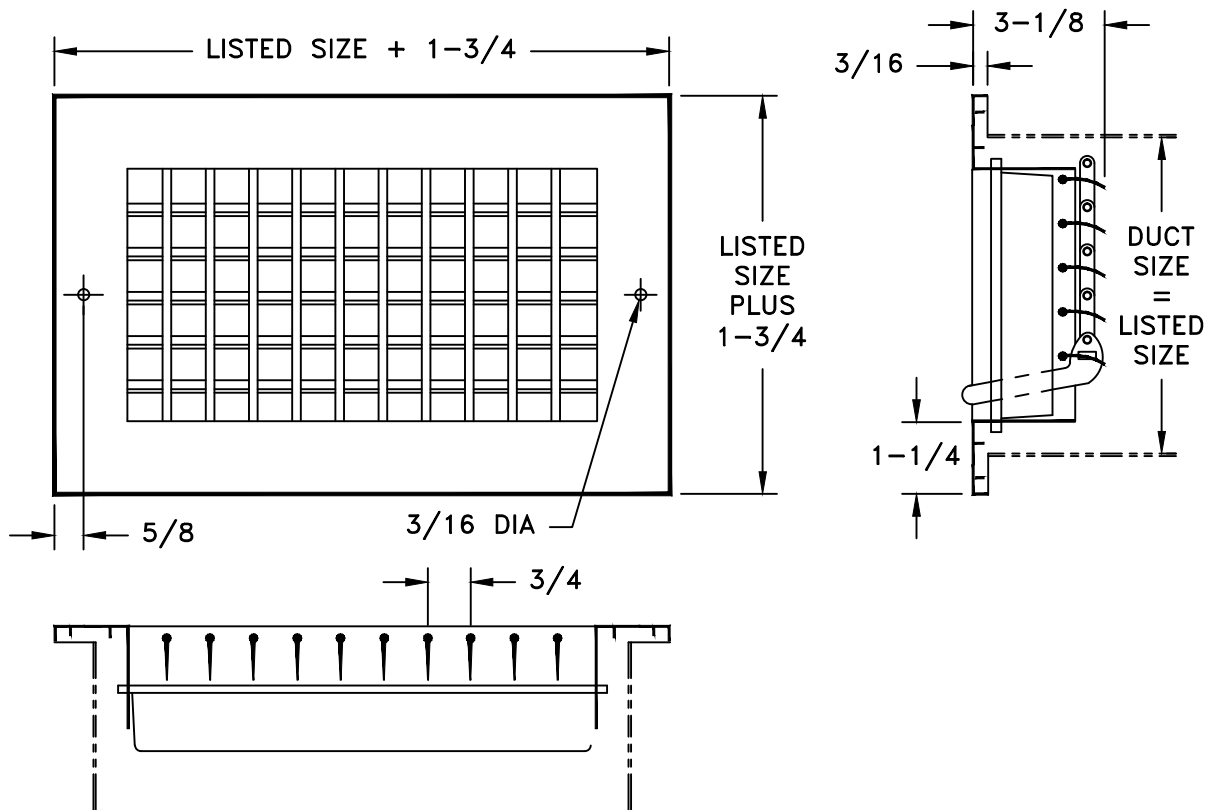


- EXTRUDED ALUMINUM CONSTRUCTION
- STYLES:
VM VERTICAL FACE BARS
HM HORIZONTAL FACE BARS
- BARS ARE ON 3/4 INCH CENTERS AND INDIVIDUALLY ADJUSTABLE
- LEVER OPERATED MULTI-SHUTTER DAMPER
- SCREW HOLE LOCATIONS STANDARD UNLESS OTHER WISE SPECIFIED
- FOR SCREW HOLE LOCATIONS SEE SD-9140
- MINIMUM SIZE: 6 X 4
- MAXIMUM SIZE: 36 X 36 ONE PIECE CONSTRUCTION
- AVAILABLE IN 1 INCH INCREMENTS
- FINISH: WHITE (W) ENAMEL OR SATIN ANODIZED (SA)
- Z-FRAME AVAILABLE SPECIAL ORDER ONLY



VM VERTICAL FACE BARS

JOB NAME: _____
 LOCATION: _____
 ARCHITECT: _____
 ENGINEER: _____
 CONTRACTOR: _____

SUBMITTED BY: HILKER/PASTUNINK

DATE: 03/08/2021 SD-9113

HM, VM
 Extruded Aluminum Supply
 Registers With Multi-Shutter
 Damper